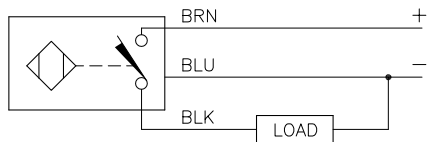


WIRING DIAGRAM

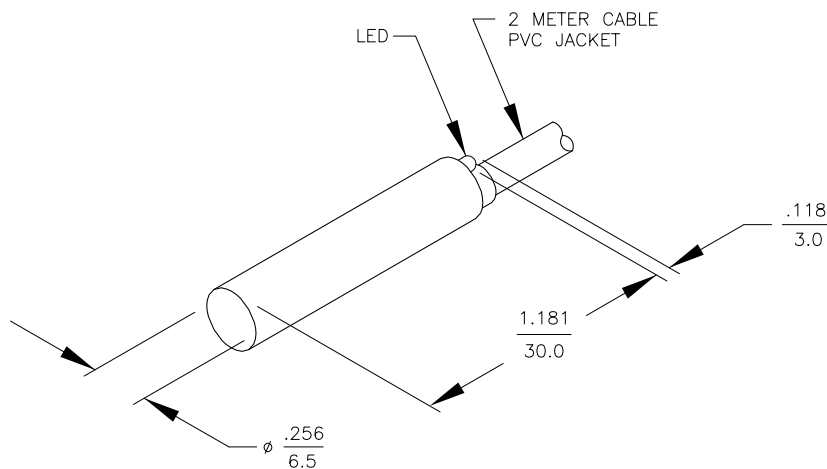


OUTPUT: AP6X

SHORT-CIRCUIT AND OVERLOAD PROTECTED

SPECIFICATIONS

OPERATING VOLTAGE	10-30 VDC
RIPPLE	≤ 10%
DIFFERENTIAL TRAVEL (HYSTERESIS)	1-15% (5% TYPICAL)
VOLTAGE DROP ACROSS CONDUCTING SENSOR	≤ 1.8 V at 150 mA
OUTPUT FUNCTION	NORMALLY OPEN 3-WIRE DC SELF-CONTAINED
TTL COMPATIBLE	NO
SHORT-CIRCUIT PROTECTED	YES
TRIGGER CURRENT FOR OVERLOAD PROTECTION	≥ 170 mA
CONTINUOUS LOAD CURRENT	≤ 150 mA
LEAKAGE (OFF-STATE) CURRENT	< 10μ A
NO-LOAD CURRENT	5.5-9.5 mA
TIME DELAY BEFORE AVAILABILITY	≤ 8 ms
POWER-ON EFFECT PROTECTION	INCORPORATED
REVERSE POLARITY PROTECTION	INCORPORATED
WIRE-BREAK PROTECTION	INCORPORATED
PROTECTION AGAINST TRANSIENTS	1 kV, 0.1 ms, 1 kΩ
OPERATING TEMPERATURE	-25°C to +70°C (-13°F to +158°F)
ENCLOSURE	MEETS NEMA 1, 3, 4, 6, 13 AND IEC IP67
SHOCK	30 g, 11 ms
VIBRATION	55 Hz, 1 mm AMPLITUDE (IN ALL 3 PLANES)
LED FUNCTION	RED: OUTPUT ENERGIZED
SENSING RANGE	1.5 mm = .059" (NOMINAL)
SWITCHING FREQUENCY	5000 Hz
REPEATABILITY	≤ 2% of NOMINAL SENSING RANGE
SHIELDED	YES



RELATED DOCUMENTS 1. 2. 3. 4.	3RD ANGLE PROJECTION 	THIS DRAWING IS PROPERTY OF TURCK INC. USE OF THIS DOCUMENT WITHOUT WRITTEN PERMISSION IS PROHIBITED.		3000 CAMPUS DRIVE MINNEAPOLIS, MN 55441 1-800-544-7769 (763) 553-7300 (763) 553-0708 fax turck.com	
	MATERIAL STAINLESS STEEL	ALL DIMENSIONS DISPLAYED ON THIS DRAWING ARE FOR REFERENCE ONLY  CONTACT TURCK FOR MORE INFORMATION	DRFT GMB DATE 1/16/89	DESCRIPTION Bi 1.5-H6.5K-AP6X	
FINISH	DSGN SCALE NONE		UNIT OF MEASUREMENT <b>INCH [ MILLIMETER ]</b>		IDENTIFICATION NO. S4610500
C UPDATE TO NEW TITLE BLOCK RDS 11/04/02 5504		DO NOT SCALE THIS DRAWING		FILE: S4610500 SHEET 1 OF 1	
REV DESCRIPTION BY DATE ECO NO.					

C	UPDATE TO NEW TITLE BLOCK	RDS	11/04/02	5504
REV	DESCRIPTION	BY	DATE	ECO NO.