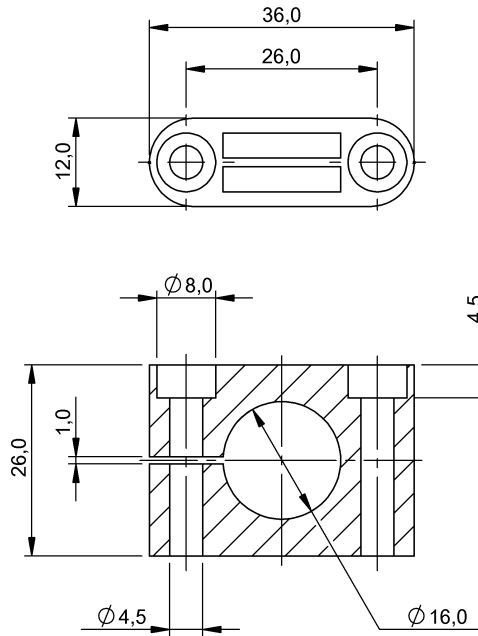


BES 16,0-BS-1 BAM00ET



General data

Scope of delivery	Clamp holder (1x)
Use	Read/write head BIS C-300
Version	Mounting cuff

Material

Material	PA 6
----------	------

Mechanical data

Dimension	36 x 12 x 26 mm
Fastening detail	Screws, terminals