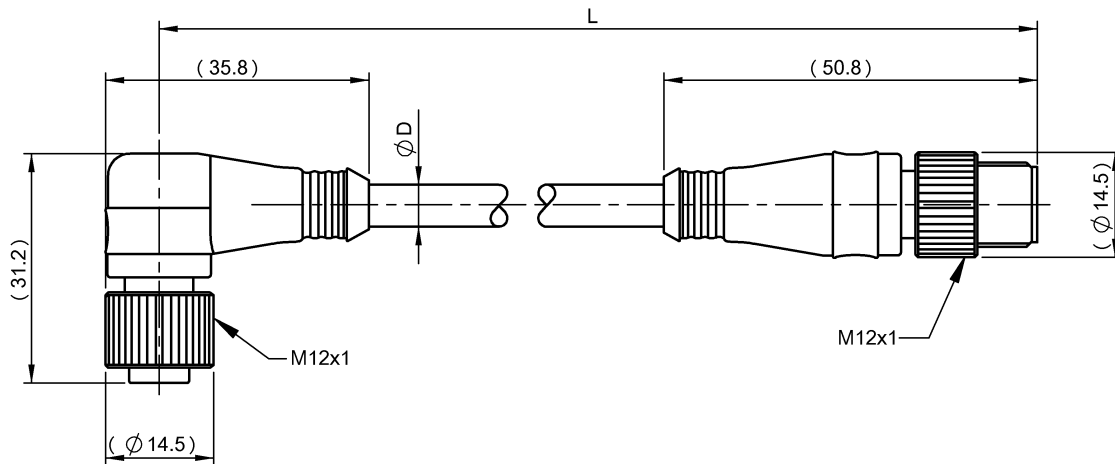


C04 GEL-04-TY-037M-8 BCC0FH4



Electrical connection

Bending radius min., fixed cable	6 x D
Bending radius min., flexible cable	10 x D
Cable	TPE yellow, 3.70 m, Drag chain compatible
Cable diameter D	7.10 mm ± 0.13 mm
Cable, bending cycles min.	10 million
Conductor cross-section	AWG 18
Number of conductors	4
Number of pins	5/4
System	Molded/Molded

Electrical data

Cable rated voltage AC max.	300.0 V
Cable rated voltage DC max.	300.0 V
Rated current (40 °C)	4.0 A

Environmental conditions

Ambient temperature	-20...105 °C
---------------------	--------------

Cable temperature, fixed routing	-40...105 °C
Protection type IEC 60529	IP68 /IP68

Material

Material contact carrier	PUR/PUR
Material contacts	Bronze/Brass
Material cover nut	Zincepoxy coated
Material grip	TPE

Mechanical data

Tightening torque pigtail	0.6 Nm/0.6 Nm
---------------------------	---------------

Remarks

Enclosure rating per IEC 60529, only in screwed state with the associated mating piece.

C04 GEL-04-TY-037M-8
BCC0FH4

Connector view



Wiring Diagram

