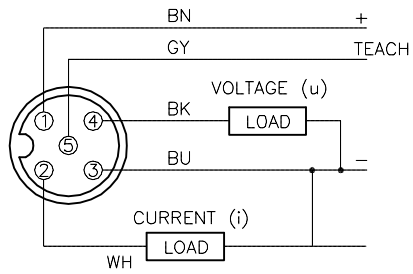


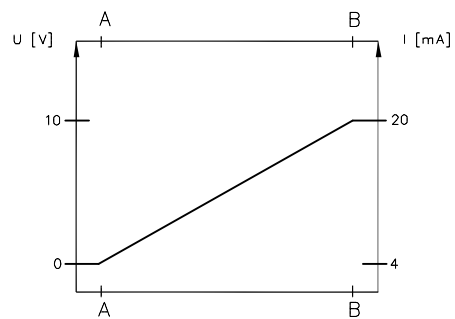
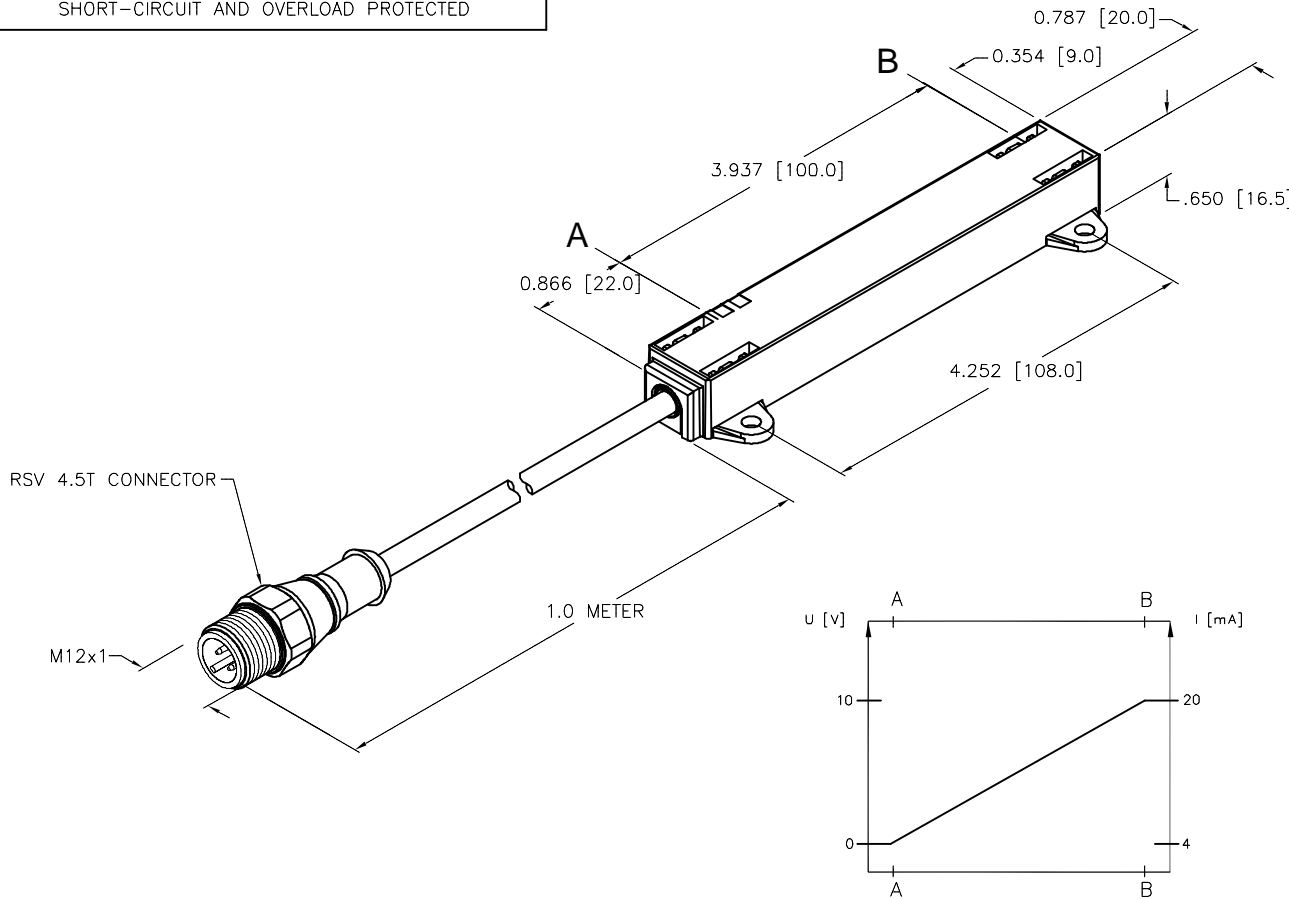
WIRING DIAGRAM



SHORT-CIRCUIT AND OVERLOAD PROTECTED

SPECIFICATIONS

MEASURING RANGE [A...B]	100 mm
RESOLUTION	0.024mm/12 BIT
BLIND ZONE A	22 mm
BLIND ZONE B	9 mm
LINEAR DEVIATION	≤ 0.5% OF FULL SCALE
TEMPERATURE DRIFT	≤ ± 0.01%/K
OPERATING TEMPERATURE	-25°C to +70°C (-13°F to +158°F)
OPERATING VOLTAGE	15-30 VDC
RESIDUAL RIPPLE	≤ 10%
NO-LOAD CURRENT	≤ 50 mA
RATED INSULATION VOLTAGE	≤ 0.5 kV
SHORT-CIRCUIT PROTECTED	YES
WIRE-BREAK PROTECTION	INCORPORATED
REVERSE POLARITY PROTECTION	INCORPORATED
OUTPUT FUNCTION	5-WIRE, ANALOG OUTPUT
VOLTAGE OUTPUT	0-10 V
CURRENT OUTPUT	4-20 mA
LOAD RESISTANCE VOLTAGE OUTPUT	≥ 4.7 kΩ
LOAD RESISTANCE CURRENT OUTPUT	≤ 0.4 kΩ
SAMPLE RATE	700 Hz
HOUSING MATERIAL	PLASTIC, PC-GF10
CONNECTION	CABLE w/M12x1 CONNECTOR
CABLE	ø5.2, TPU
SHOCK RESISTANCE	30 g, 11 ms
VIBRATION RESISTANCE	55 Hz, 1 mm AMPLITUDE (IN ALL 3 PLANES)
DEGREE OF PROTECTION	IP67
OPERATING POWER DISPLAY	LED, GREEN
MEASURING RANGE DISPLAY	LED, GREEN (MULTIFUNCTION)



SOURCE DRAWING - FOR REFERENCE ONLY

RELATED DOCUMENTS 1. 2. 3. 4.	3RD ANGLE PROJECTION 	THIS DRAWING IS CONFIDENTIAL AND THE PROPERTY OF TURCK INC. USE OF THIS DOCUMENT WITHOUT WRITTEN PERMISSION IS PROHIBITED.		3000 CAMPUS DRIVE MINNEAPOLIS, MN 55441 1-800-544-7769 (763) 553-7300 (763) 553-0708 fax turck.com	
		DRFT RDS APVD A.F.	DATE 05/01/14 SCALE 1=1.8	DESCRIPTION LI100P1-Q17LM1-LIU5X2-1M-RSV 4.5T	
MATERIAL  SEE NOTES	ALL DIMENSIONS DISPLAYED ON THIS DRAWING ARE FOR REFERENCE ONLY  CONTACT TURCK FOR MORE INFORMATION	UNIT OF MEASUREMENT <b>INCH [ MILLIMETER ]</b>		IDENTIFICATION NO. M1590730-000	REV A
FINISH  SEE NOTES		DO NOT SCALE THIS DRAWING		FILE: M1590730-000	SHEET 1 OF 1

A	DRAWING RELEASE	RDS	05/01/14	
REV	DESCRIPTION	BY	DATE	ECO NO.