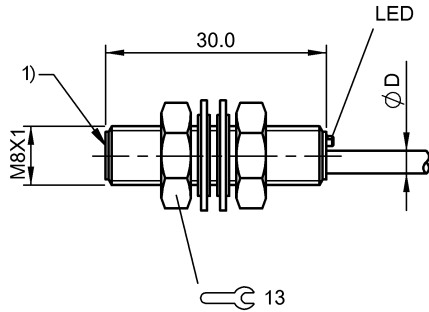
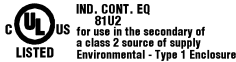


BES 516-324-E4-C-05-CF BES00N1



1) ceramic coated



Display/Operation

Function indicator	yes
Power indicator	no

Electrical connection

Cable diameter D	3.00 mm
Cable length	5 m
Conductor cross-section	0.14 mm ²
Connection type	Cable, 5.00 m, PVC
Number of conductors	3
Polarity reversal protected	yes
Short-circuit protection	yes

Electrical data

Hysteresis H max. (% of Sr)	15.0 %
Load capacitance max. at Ue	0.5 µF
No-load current I ₀ max., undamped	3 mA
Operating voltage U _b	10...30 VDC
Output resistance R _a	33.0 kOhm + D
Pollution degree	3
Protected against miswiring	yes
Rated insulation voltage U _i	250 V AC
Rated operating current I _e DC	200 mA
Rated operating voltage U _e DC	24 V
Rated short circuit current	100 A
Ready delay t _v max.	20 ms
Repeat accuracy max. (% of Sr)	5.0 %
Residual current I _r max.	20 µA
Switching frequency	3000 Hz
Utilization category	DC -13
Voltage drop static max.	2.5 V

Environmental conditions

Ambient temperature	-25...70 °C
Protection class	II
Protection type IEC 60529	IP68

General data

Approval/Conformity	CE cULus EAC
Basic standard	IEC 60947-5-2

Material

Housing material	Stainless steel
Material jacket	PVC
Material sensing surface	PBT

Mechanical data

Dimension	Ø 8 x 30 mm
Installation	for flush mounting
Size	M8x1
Tightening torque	8 Nm

Output/Interface

Switching output	PNP Normally open (NO)
------------------	------------------------

Range/Distance

Assured operating distance S _a	0.9 mm
Range	1.5 mm

BES 516-324-E4-C-05-CF BES00N1

Rated operating distance S_n	1.5 mm
Ripple max. (% of U_e)	15 %
Temperature drift max. (% of S_r)	10 %

Remarks

The sensor is functional again after the overload has been eliminated.
 S_n : reduced by 0.3 mm (ceramic coating).

Wiring Diagram

