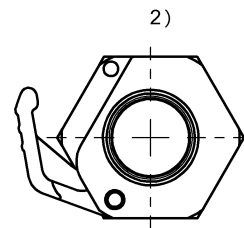
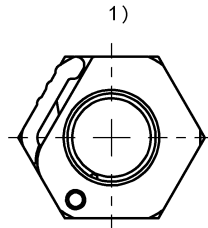
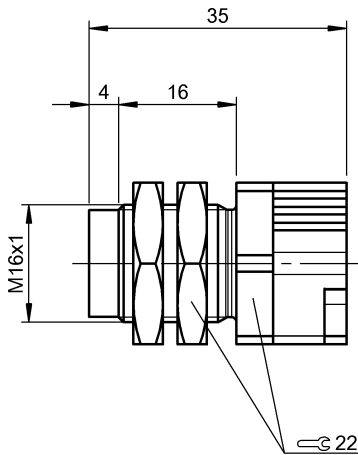


BES 12,0-KH-9ST BAM00EF



1) closed 2) open

Environmental conditions

Ambient temperature -25...70 °C

General data

Scope of delivery Clamp holder (1x)
Nut DIN 1763-M16x1 (2x)
Use For M12 sensors

Material

Housing material LCP, PTFE
Material Brass

Surface protection

white bronze

Mechanical data

Dimension undefined
Fastening detail Clamp lever
Tightening torque 20 Nm

Remarks

For proximity switches with mounting length 32 mm and longer.
The plastic stop cap allows the installation of sensors with a higher switching distance without having to alter the switching distance.
The clamp holder was designed to retain size M12 proximity switches.