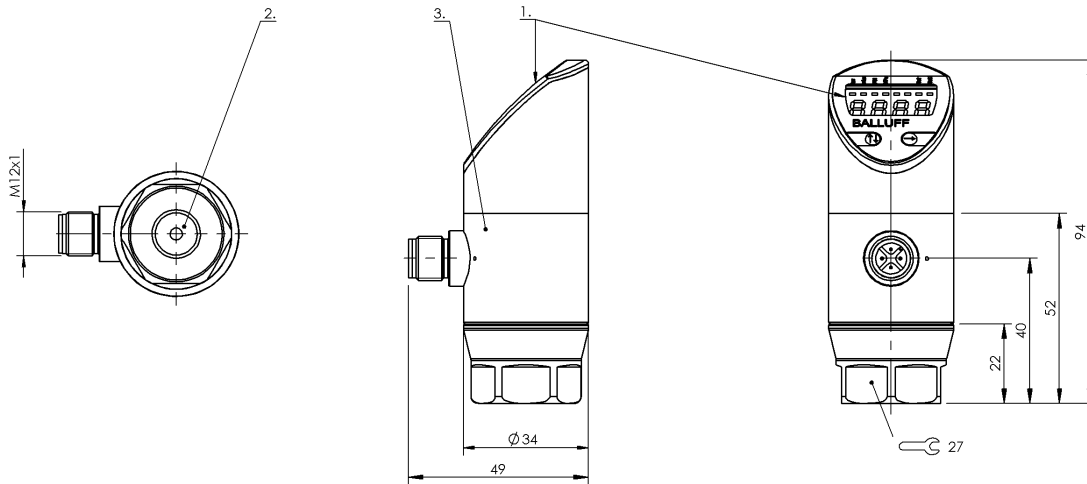


BSP B002-EV003-A03S1B-S4 BSP00ER



1) Display and control panel 2) Process connection 3) Housing rotatable 320°



Display/Operation

Switching function display	LED
----------------------------	-----

Electrical connection

Connection	M12x1-Connector, 4-pole, A-coded
Polarity reversal protected	yes
Short-circuit protection	yes

Electrical data

Current draw max.	50 mA
MTTF (40 °C)	309 a
Operating voltage U_b	18...36 VDC
Output current max.	250 mA
Switching cycles min.	100000000
Switching frequency	200 Hz

Environmental conditions

Ambient temperature	-40...85 °C
Compensation temperature	-25...85 °C
Interference immunity	EN 61326-2-3: 2006
Medientemperatur	-40...125 °C
Noise emission	EN 61326-2-3: 2006
Protection class	III
Protection type IEC 60529	IP67
Storage temperature	-40...85 °C
Temperature coefficient typ.	$\leq \pm 0.3$ % FSO/10K

Functional safety

Diagnostic coverage	0.0 %
Functional safety	no
Mission Time	0 a

General data

Approval/Conformity	CE
Operating panel	2 buttons 320° rotation 4-digit, 7-segment display, red

Material

Gasket, material	FKM
Housing material	PA, PA 6.6 Stainless steel (1.4301)

Mechanical data

Tightening torque max.	5 Nm
Weight	230.00 g

Output/Interface

Analog output	Analog, current, 4...20 mA
Interface	IO-Link 1.1
IO-Link version	1.1
Switching output	NPN

Range/Distance

Burst pressure	7.00 bar
----------------	----------

BSP B002-EV003-A03S1B-S4 BSP00ER

Long-term stability max.	0.3 % FSO/year
Overload pressure	4 bar
Repeat accuracy	≤ ±0.2 % FSO
Resolution	≤ 12 Bit
Sampling rate	2 ms

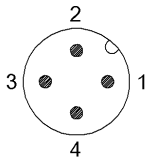
Remarks

vacuum-tight
Permissible burden on analog output $R_{max} = 330 \text{ Ohm}$

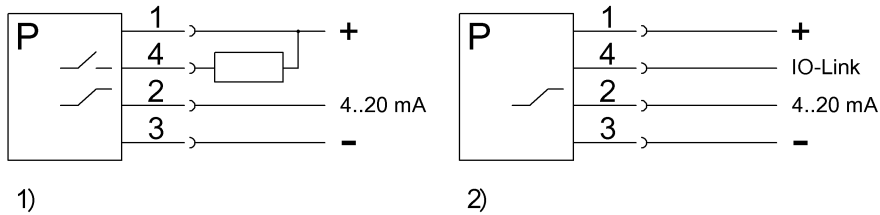
For further information on MTTF/B10d, please refer to the MTTF / B10d Certificate.

Specification of the MTTF value and the B10d value do not represent any binding quality and/or life expectancy guarantees.

Connector view



Wiring Diagram



1) Standard mode 2) IO-Link mode