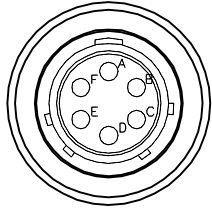


MALE END VIEW

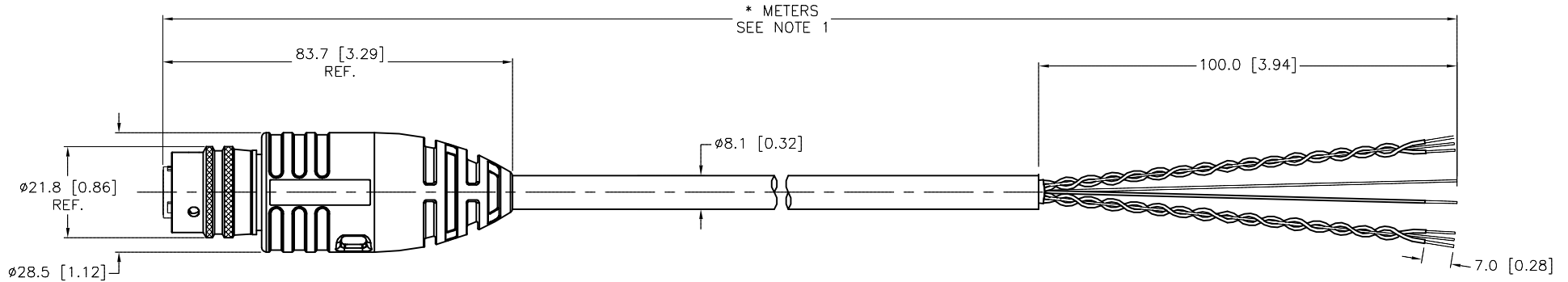


- A = RED
- B = GREEN
- C = BLACK
- D = WHITE
- E = GREEN/YELLOW
- F = OVERALL DRAIN

CONNECTOR  
 TYPE/STYLE - MS 3116M  
 SHELL SIZE - 10  
 INSERT ARRANGEMENT - 6P

SPECIFICATIONS

CONTACT CARRIER MATERIAL	NEOPRENE
MOLDED HEAD MATERIAL/COLOR	PVC/BLACK
CONTACT MATERIAL/PLATING	COPPER ALLOY/GOLD
COUPLING NUT MATERIAL/PLATING	ALUMINUM ALLOY/OLIVE DRAB CHROMATE
MOLD SLEEVE	ALUMINUM/BLACK ANODIZED
RATED CURRENT [A]	5.6 A
RATED VOLTAGE [V]	300 V
OUTER JACKET MATERIAL/COLOR	EX60/BLUE
CONDUCTOR INSULATION MATERIAL	XLPE
NUMBER OF CONDUCTORS	5x20 AWG
CONDUCTOR ARRANGEMENT	2 SHIELDED TWISTED PAIRS W/DRAIN, 1 GND, 1 DRAIN
TEMPERATURE RATING	-60°C to +105°C (-76°F to +221°F)
PROTECTION CLASS	MEETS NEMA 1,3,4,6P AND IEC IP67,IP68
CONNECTOR TYPE	MIL-DTL-26482
CABLE APPROVALS	UL: ITC-ER, PLTC-ER, 105°C -60°C COLD BEND cUL: CIC, 90°C, 300V



CABLE LENGTH	TOLERANCE*
ALL LENGTHS	+ 4% (OR 50mm) OF LENGTH - 0% (OR 0mm) OF LENGTH WHICHEVER IS GREATER
STRIP LENGTH	TOLERANCE*
0-7mm	±0.5mm
8-29mm	±1.0mm
30-49mm	±2.0mm
50-69mm	±3.0mm
70-100mm	±4.0mm
OVER 100mm	±5.0mm

\* UNLESS OTHERWISE SPECIFIED

SOURCE DRAWING - FOR REFERENCE ONLY

NOTES:

1. "\*" INDICATES CABLE LENGTH IN METERS. CONTACT TURCK TO ORDER SPECIFIC LENGTH.

RELATED DOCUMENTS		3RD ANGLE PROJECTION		THIS DRAWING IS CONFIDENTIAL AND THE PROPERTY OF TURCK INC. USE OF THIS DOCUMENT WITHOUT WRITTEN PERMISSION IS PROHIBITED.		<b>TURCK INC</b> High Technology Sensors and Automation Controls 3000 CAMPUS DRIVE MINNEAPOLIS, MN 55441 1-800-544-7769 (763) 553-7300 (763) 553-0708 fax turck.com	
1.			ALL DIMENSIONS DISPLAYED ON THIS DRAWING ARE FOR REFERENCE ONLY	DRFT	NF	DATE	02/16/15
2.				APVD	J.B.	SCALE	1=1.5
3.		CONTACT TURCK FOR MORE INFORMATION	UNIT OF MEASUREMENT <b>MILLIMETER [ INCH ]</b>	IDENTIFICATION NO.		REV	
4.						C	
MATERIAL		SEE SPECIFICATIONS		DO NOT SCALE THIS DRAWING		FILE: 777034741	
FINISH		SEE SPECIFICATIONS		SHEET 1 OF 1			

C	UPDATED CABLE JACKET MATERIAL PER ECO	TV	06/16/16	55006
REV	DESCRIPTION	BY	DATE	ECO NO.