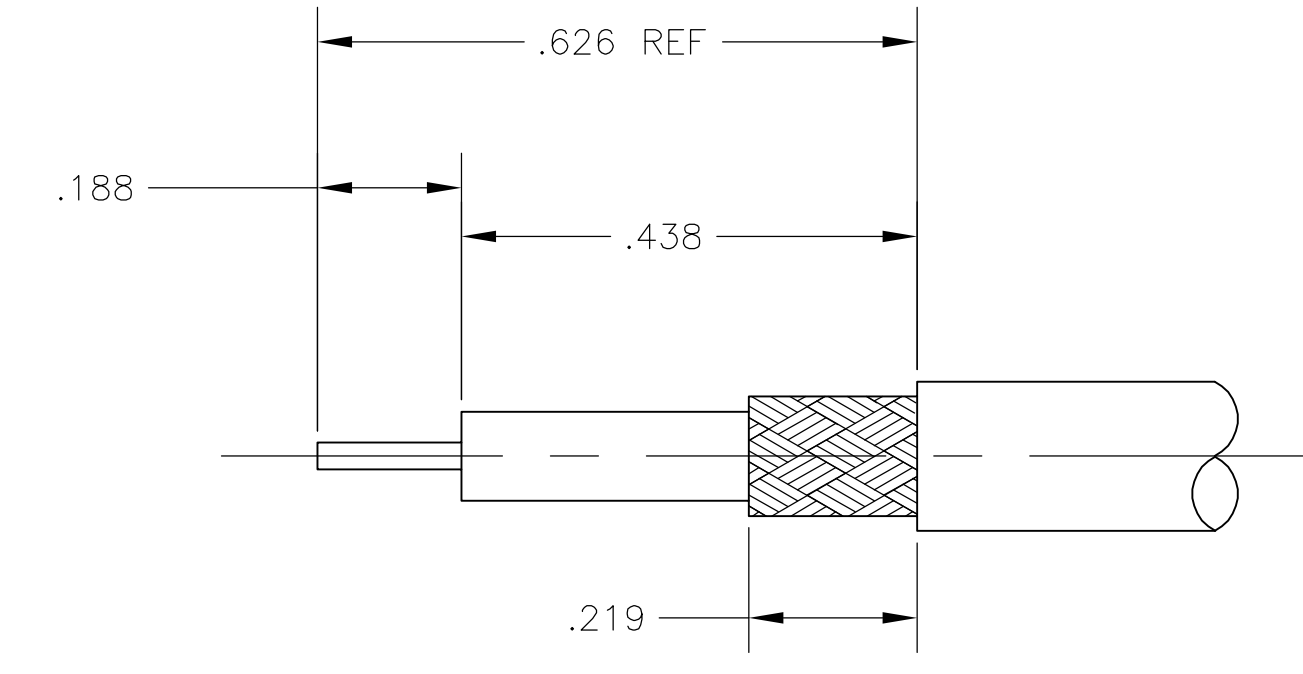
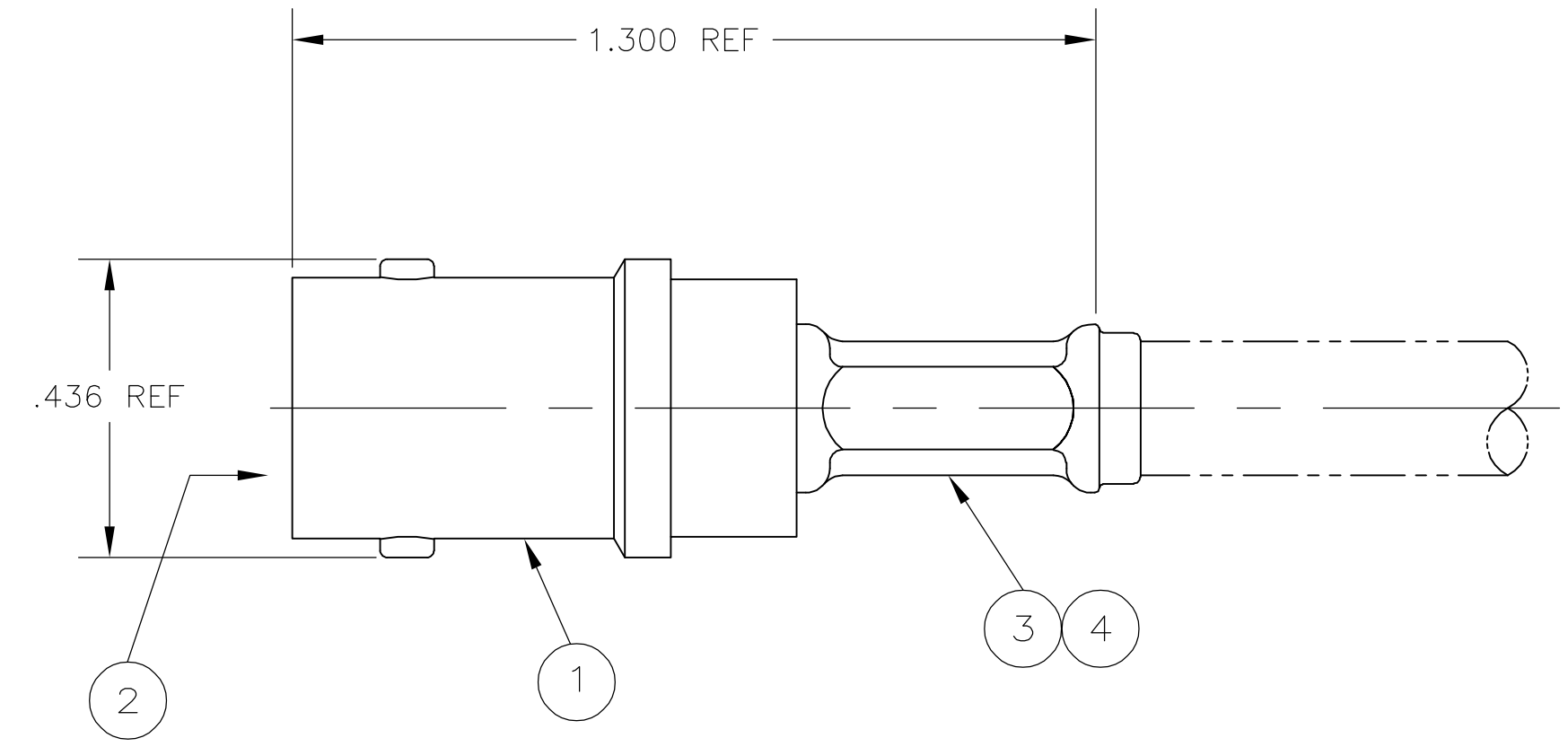


⚠ USE WITH PRO-CRIMPER 354940-1.
 2. SEE INSTRUCTION SHEET 408-9778.



RECOMMENDED STRIP LENGTH

RG-179/U, 179A/U, 179B/U, 187/U & 187A/U	.068	.178	58436-3	21427-2	9-413658-0	2-413774-0	413780-3	5413779-4
RG-174/U, 188/U & 316/U	.068	.178	58436-3	21427-2	9-413658-0	1-413774-5	413780-3	5413779-3
FOR USE WITH CABLE	CONTACT CRIMP (HEX)	FERRULE CRIMP	DIE SET ⚠	④ TUBING QTY=1	③ FERRULE QTY=1	② CONTACT QTY=1	① JACK ASSEMBLY QTY=1	PART NUMBER

THIS DRAWING IS A CONTROLLED DOCUMENT.

DIMENSIONS: INCHES	TOLERANCES UNLESS OTHERWISE SPECIFIED:	DWN: A. FERNANDEZ-DOCKES	22APR2005	tyco Electronics	Tyco Electronics Corporation Harrisburg, Pa 17105-3608
0 PLC ± -	1 PLC ± -	CHK: J. HAVENER	22APR2005	NAME: J. LIPPERT	PRODUCT SPEC
2 PLC ± -	3 PLC ± -	APPROVED: J. LIPPERT	22APR2005	APPLICATION SPEC	RESTRICTED TO
4 PLC ± -	ANGLES ± -	FINISH	WEIGHT	SIZE: A1	CAGE CODE: 00779
MATERIAL				DRAWING NO: 5413779	REV: 0

CUSTOMER DRAWING SCALE 4:1 SHEET 1 OF 1