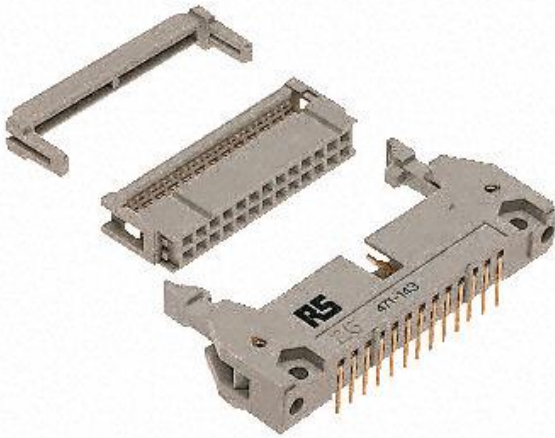
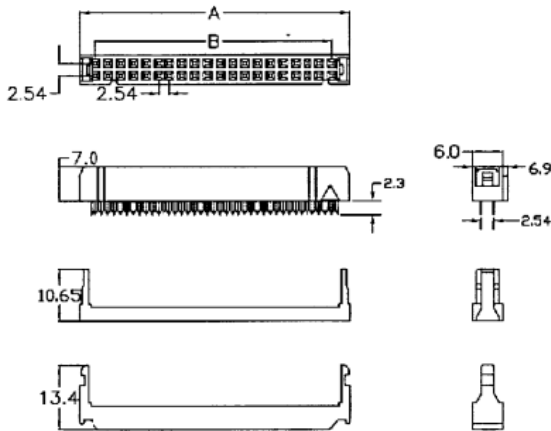


Professionally approved products.
Datasheet
50 way universal IDC cable

RS Stock number 471-250



Dimensions: (mm)



Specifications

- Contact: Phosphor Bronze
- Plating: Gold plated over Nickel
- Insulator Material: PBT & Glass-Fibre Reinforced
- Colour : Grey UL94V-0
- Current Rating: 1 Amp DC Max
- Insulator Resistance: 100CM ohm Min at 500V DC
- Contact Resistance: 30m ohm Max, at 6V DC 300mA
- Dielectric withstanding voltage: 500V AC for ne minute
- Operating Temperature: - 55°C ~ 105°C