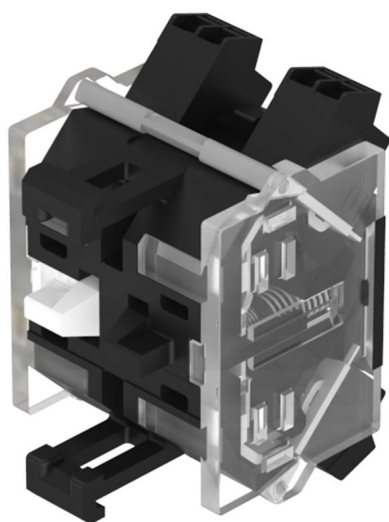


# EAO – Your Expert Partner for Human Machine Interfaces

## 704.918.4 - Switching element for emergency-stop switch

### 704.918.4 - Switching element for emergency-stop switch



*Attention: The preview is based on a sample product. This can differ from your current configuration.*

#### Other Attributes

Weight 0.019 kg

#### Connection Method

Terminal Push-in Terminal

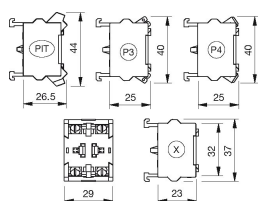
#### Switching element

Switching voltage 250 V AC  
Switching current 6 A  
Switching system Slow-make switching element  
Contact material Silver  
Contacts 2 NC

# EAO – Your Expert Partner for Human Machine Interfaces

704.918.4 - Switching element for emergency-stop switch

## Dimensions



PIT = Push-in terminal

## Wiring diagram

