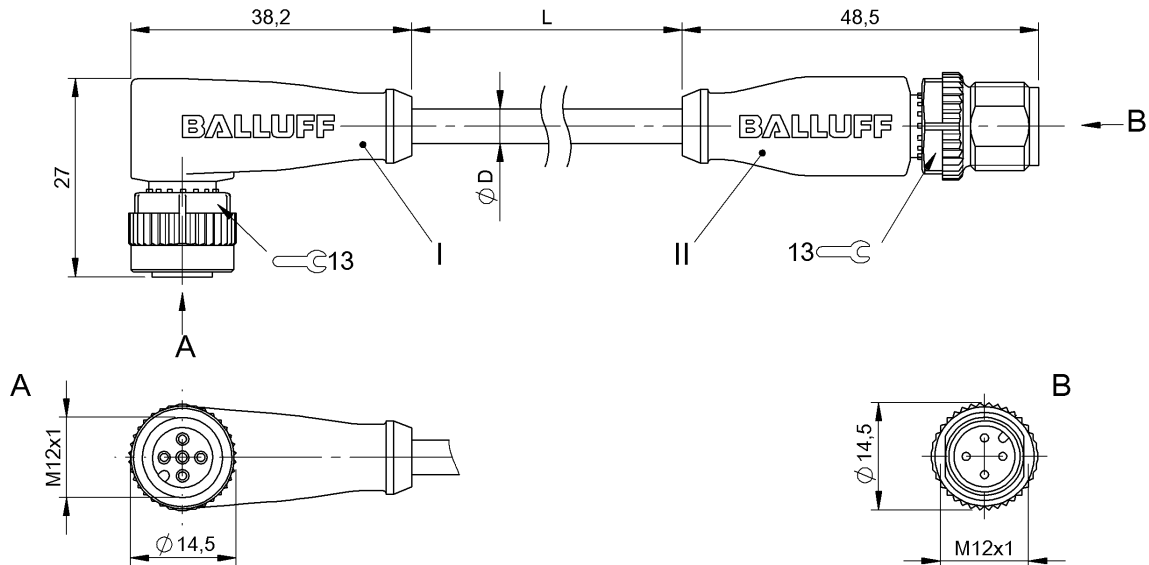


BCC M425-M414-3A-304-EX44T2-030-C008
BCC0E4K



4MT5
(CYJV CABLE ASSEMBLY)

Electrical connection

Bending radius min., fixed cable	5 x D
Bending radius min., flexible cable	10 x D
Cable	TPE yellow, 3.00 m, Drag chain compatible
Cable diameter D	5.30 mm ±0.13 mm
Cable, bending cycles min.	10 million
Conductor cross-section	AWG 22
Number of conductors	4
Number of pins	5/4
System	Molded/Molded

Electrical data

Cable rated voltage AC max.	300.0 V
Cable rated voltage DC max.	300.0 V
Rated current (40 °C)	4.0 A

Environmental conditions

Cable temperature, fixed routing	-50...105 °C
Cable temperature, flexible routing	-25...105 °C

Protection type IEC 60529

IP68 /IP68

General data

Approval/Conformity	cULus LISTED
---------------------	--------------

Material

Material contact carrier	PUR/PUR
Material contacts	Bronze/Brass
Material cover nut	Die-cast zinc/Die-cast zinc
Material grip	TPU/TPU
Protective jacket material	Silicone

Mechanical data

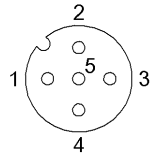
Tightening torque pigtail	0.6 Nm/0.6 Nm
---------------------------	---------------

Remarks

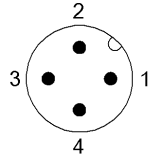
Cable with silicon protective tube

BCC M425-M414-3A-304-EX44T2-030-C008
BCC0E4K

Connector view



I PIN 1: brown PIN 2: white PIN 3: blue PIN 4:
black PIN 5: n.c.



II PIN 1: brown PIN 2: white PIN 3: blue PIN 4:
black

Wiring Diagram

