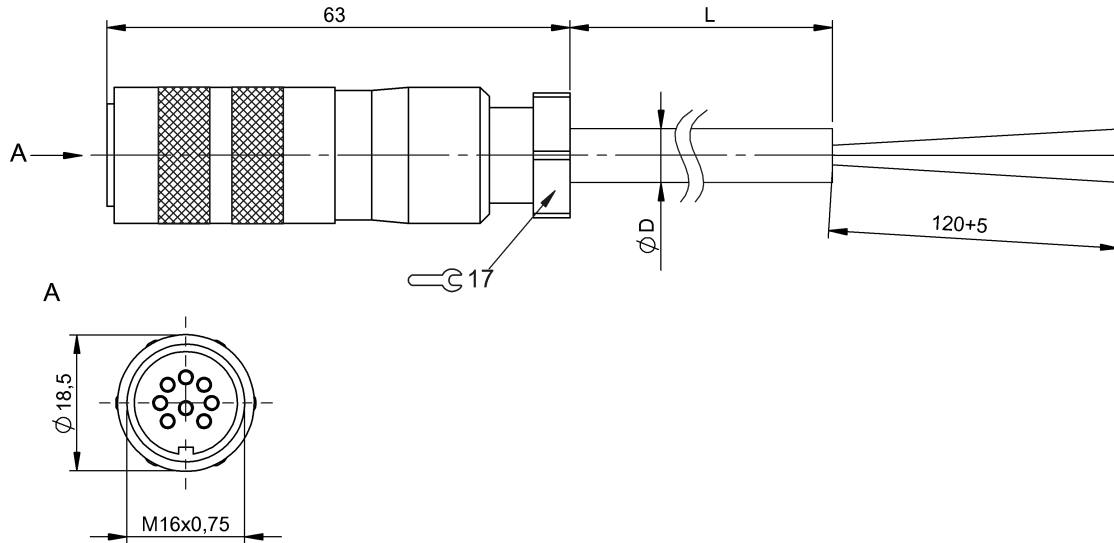


BKS-S 32M-TF-10 BCC00UN



Electrical connection

Bending radius min., fixed cable	15 x D
Cable	PTFE shielded, self-extinguishing black, 10.00 m
Cable diameter D	6.35 mm ±0.35 mm
Conductor cross-section	0.25 mm ²
Number of conductors	7
Number of pins	8
System	Molded

Electrical data

Conductor construction	3x2 twisted-pair
Operating voltage U _b	60 VDC

Environmental conditions

Cable temperature, fixed routing	-55...200 °C
----------------------------------	--------------

Protection type IEC 60529

IP67

Material

Material contact carrier	PBT
Material contacts	Bronze
Material grip	Brass

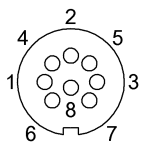
Mechanical data

Tightening torque pigtail	0.6 Nm
---------------------------	--------

Remarks

Enclosure rating per IEC 60529, only in screwed state with the associated mating piece.
Oil resistant per DIN VDE 0472
Flame resistance acc. to IEC 60332-1

Connector view



PIN 1: yellow PIN 2: gray PIN 3: pink PIN 5:
green PIN 6: blue PIN 7: brown PIN 8: white

BKS-S 32M-TF-10
BCC00UN

Wiring Diagram

