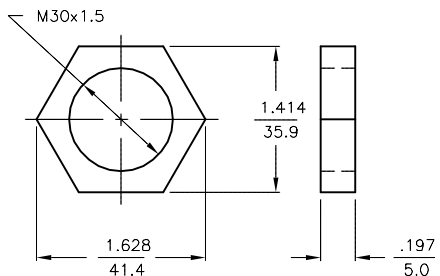
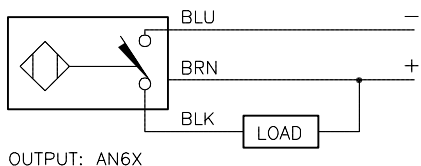


WIRING DIAGRAM

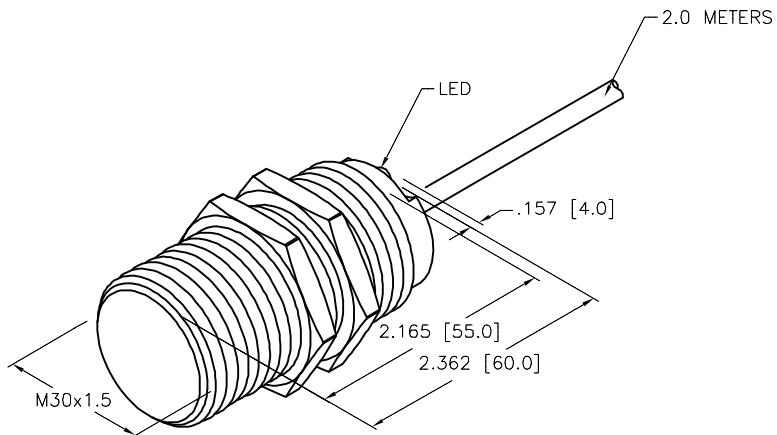
LOCKNUT LN-M30

SPECIFICATIONS



SHORT-CIRCUIT AND OVERLOAD PROTECTED

RATED OPERATING DISTANCE	15mm = .591" (NOMINAL)
MOUNTING MODE	FLUSH
REPEATABILITY	≤ 2%
TEMPERATURE DRIFT	≤ ± 10%
HYSTERESIS	3-15%
AMBIENT TEMPERATURE	-25°C to +70°C (-13°F to +158°F)
OPERATING VOLTAGE	10-30 VDC
MAX. RIPPLE	≤ 10%
RATED OPERATIONAL CURRENT	≤ 200 mA
NO-LOAD CURRENT	≤ 15 mA
RESIDUAL CURRENT	≤ 0.1 mA
RATED INSULATION VOLTAGE	≤ 0.5 kV
SHORT-CIRCUIT PROTECTION	YES
MAX. VOLTAGE DROP	≤ 1.8 V
WIRE BREAK PROTECTION	INCORPORATED
REVERSE POLARITY PROTECTION	INCORPORATED
OUTPUT FUNCTION	3-WIRE, NORMALLY OPEN, NPN
SWITCHING FREQUENCY	≤ 0.3 kHz
HOUSING MATERIAL	CHROME PLATED BRASS
ACTIVE FACE	PLASTIC, PA12-GF20
CABLE	ø5.2, PVC,
VIBRATION RESISTANCE	55 Hz (IN ALL 3 PLANES)
SHOCK RESISTANCE	30 g, 11 ms
PROTECTION DEGREE	IP67
SWITCHING STATUS INDICATION	LED; YELLOW



SOURCE DRAWING - FOR REFERENCE ONLY

RELATED DOCUMENTS 1. 2. 3. 4.	3RD ANGLE PROJECTION 	THIS DRAWING IS CONFIDENTIAL AND THE PROPERTY OF TURCK INC. USE OF THIS DOCUMENT WITHOUT WRITTEN PERMISSION IS PROHIBITED.		3000 CAMPUS DRIVE MINNEAPOLIS, MN 55441 1-800-544-7769 (763) 553-7300 (763) 553-0708 fax turck.com	
	MATERIAL	ALL DIMENSIONS DISPLAYED ON THIS DRAWING ARE FOR REFERENCE ONLY	DRFT RDS APVD	DATE 10/14/09 SCALE NONE	DESCRIPTION B110-M30-AN6X
FINISH	CONTACT TURCK FOR MORE INFORMATION	UNIT OF MEASUREMENT INCH [MILLIMETER]		IDENTIFICATION NO. T4617100	REV B
DO NOT SCALE THIS DRAWING		FILE: T4617100		SHEET 1 OF 1	

B	UPDATE OUTPUT SPEC	NF	04/23/15	49810
REV	DESCRIPTION	BY	DATE	ECO NO.