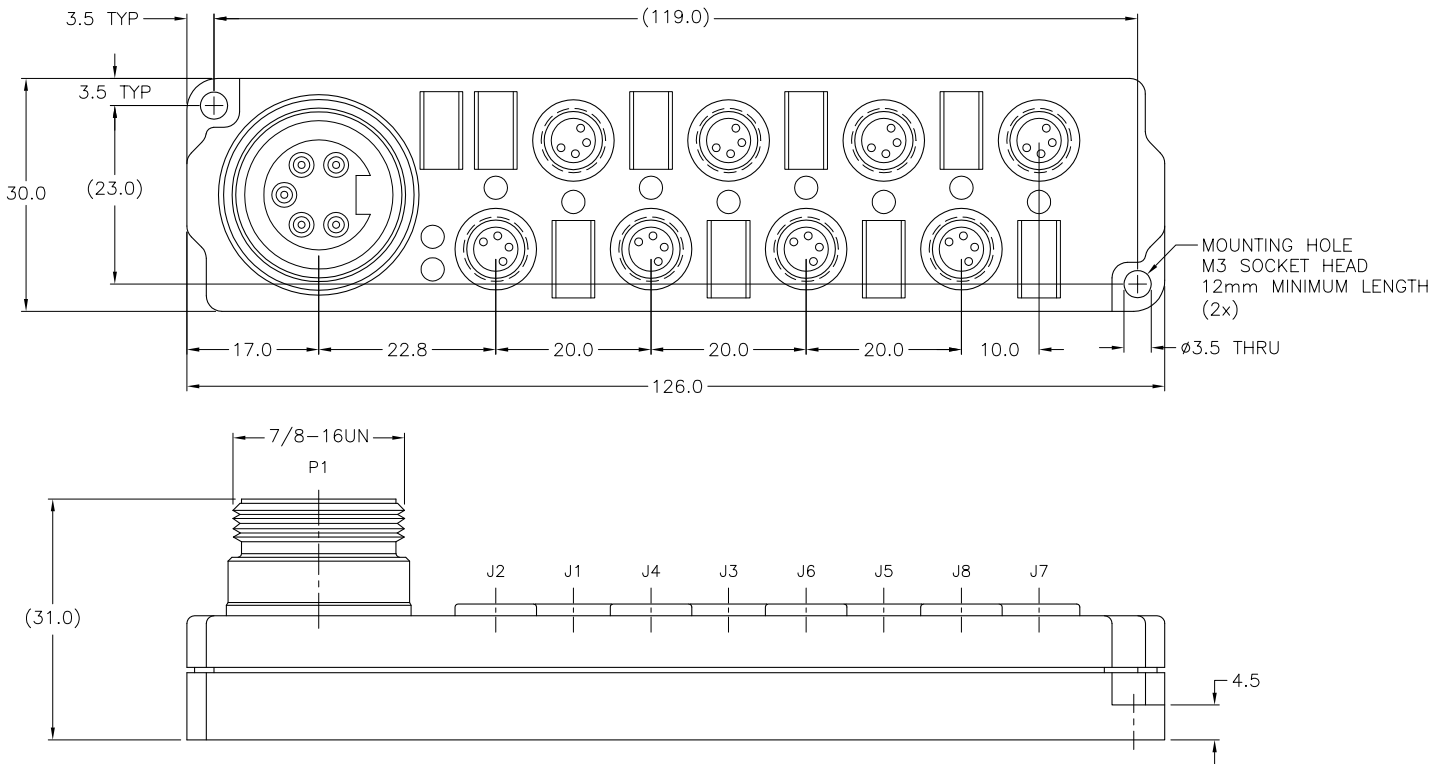


SPECIFICATIONS	
RECEPTACLE MATERIAL/FINISH	BRASS/NICKEL
CONTACTS	BRASS/GOLD
OPERATING VOLTAGE	24 V
OPERATING CURRENT	4.0 A PER PORT, 9.0 A TOTAL
PROTECTION CLASS to DIN 40050	IP 67 – ONLY WHEN ALL RECEPTACLES ARE COVERED WITH PLUGS OR CONNECTED
OPERATING TEMPERATURE	-40°C to +70°C (-40°F to +158°F)



SOURCE DRAWING - FOR REFERENCE ONLY

RELATED DOCUMENTS		3RD ANGLE PROJECTION		THIS DRAWING IS PROPERTY OF TURCK INC. USE OF THIS DOCUMENT WITHOUT WRITTEN PERMISSION IS PROHIBITED.		TURCK INC <i>High Technology Sensors and Automation Controls</i> 3000 CAMPUS DRIVE MINNEAPOLIS, MN 55441 1-800-544-7769 (763) 553-7300 (763) 553-0708 fax turck.com	
1.			ALL DIMENSIONS DISPLAYED ON THIS DRAWING ARE FOR REFERENCE ONLY	DRFT	RDS	DATE	12/04/06
2.				DSGN		SCALE	1=1.0
3.		UNIT OF MEASUREMENT				DESCRIPTION	
4.		MILLIMETERS				8MBM8-4P2-7/8-M	
MATERIAL		SEE SPECIFICATIONS		IDENTIFICATION NO.		REV	
FINISH		SEE SPECIFICATIONS		M8017216		A	
CONTACT TURCK FOR MORE INFORMATION		DO NOT SCALE THIS DRAWING		FILE: M8017216		SHEET 1 OF 1	

A	DRAWING RELEASE	RDS	12/05/06	
REV	DESCRIPTION	BY	DATE	ECO NO.