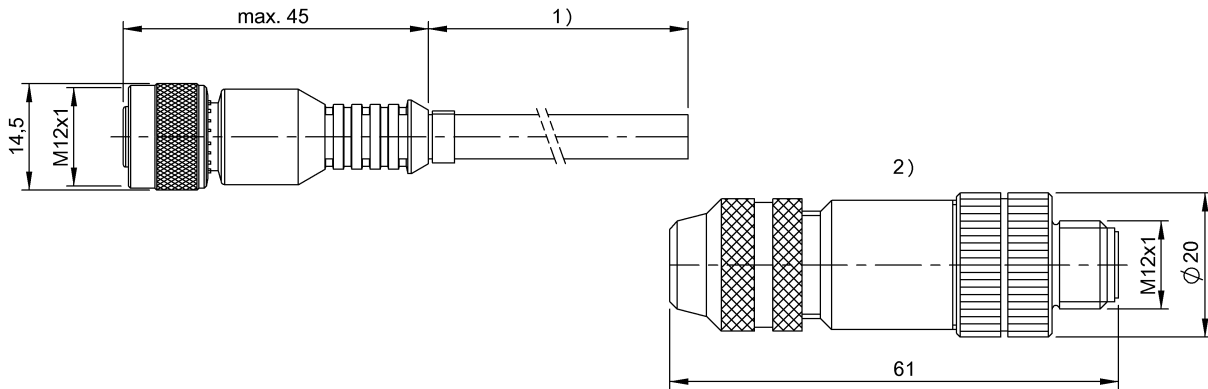


BIS Z-501-PU1-50/E BCC00RJ



1) Cable length see text 2) Connector included



Electrical connection

Bending radius min., fixed cable	5 x D
Bending radius min., flexible cable	10 x D
Cable	PUR Shielded black, 50.00 m, Drag chain compatible
Cable diameter D	6.00 mm \pm 0.15 mm
Cable, bending cycles min.	2 million
Conductor cross-section	0.25 mm ²
Number of conductors	8
System	Molded/Molded

Electrical data

Conductor construction	4x2 twisted-pair
Horizontal travel permitted, drag chain	5 m
Vertical travel permitted, drag chain	2 m

Environmental conditions

Cable temperatur, drag chain	-25...60 °C
Cable temperature, fixed routing	-50...80 °C
Cable temperature, flexible routing	-25...80 °C
Protection type IEC 60529	IP67 installed

General data

Approval/Conformity	CE
---------------------	----

Material

Cable shield	Copper braid, tin-plated
Material contacts	Bronze/Brass

Mechanical data

Acceleration max., drag chain	5 m/s ²
Tightening torque pigtail	0.6 Nm/0.6 Nm
Traverse speed max., drag chain	200 m/min

Remarks

1x M12 coupling 8-conductor molded, straight with open cable end plus included 1x M12 connector 8-conductor, straight, for user assembly
Connection cable: for all BIS L/M/S-3xx read/write heads with 8-pin connector for connecting to BIS L/M/S-6xxx and BIS M-407. Cable can be trimmed to required length.