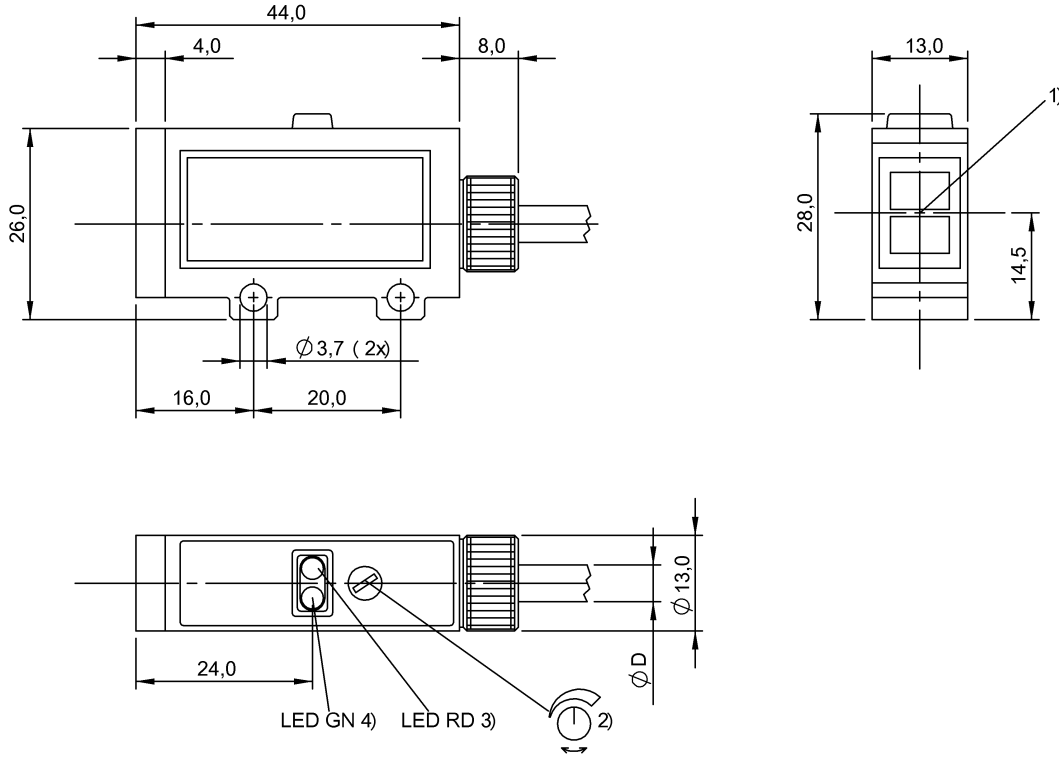


BOS 15K-S-C50-02 BOS00FU



1) Optical axis 2) Sn 3) Output function 4) stability



Display/Operation

Adjuster	Potentiometer 270° (1x)
Setting	Rated switching distance (Sn)

Electrical connection

Cable diameter D	5.00 mm
Cable length	2 m
Conductor cross-section	0.25 mm ²
Connection type	Cable, 2.00 m, PVC
Number of conductors	5
Polarity reversal protected	yes
Short-circuit protection	yes

Electrical data

Hysteresis H max. (% of Sr)	20.0 %
Load capacitance max. at Ue	0.5 µF
No-load current I _o max. at Ue	30 mA
Operating voltage U _b	10...30 VDC
Rated insulation voltage U _i	75 V DC
Rated operating current I _e DC	100 mA

Rated operating voltage U _e DC	24 V
Repeat accuracy max. (% of Sr)	5.0 %
Switching frequency	500 Hz
Turn-off delay t _{off} max.	1 ms
Turn-on delay t _{on} max.	1 ms
Utilization category	DC -13
Voltage drop U _d max. at I _e	1.5 V

Environmental conditions

Ambient temperature	-15...55 °C
Protection type IEC 60529	IP66

General data

Approval/Conformity	CE
Basic standard	IEC 60947-5-2
Series	15K
Style	Square Straight connection

Material

Housing material	ABS
------------------	-----

BOS 15K-S-C50-02 BOS00FU

Material jacket	PVC	Switching output	PNP/NPN Normally open/ Normally closed (NO/NC)
Material sensing surface	PMMA		

Mechanical data

Dimension	13 x 28 x 52 mm
Fastening detail	Screw M3

Optical data

Ambient light max.	3000 Lux
Beam characteristic	Divergent
Light type	Infrared
Wave length	880 nm

Output/Interface

Input function	Light-on/dark-on Switching output PNP/NPN
----------------	--

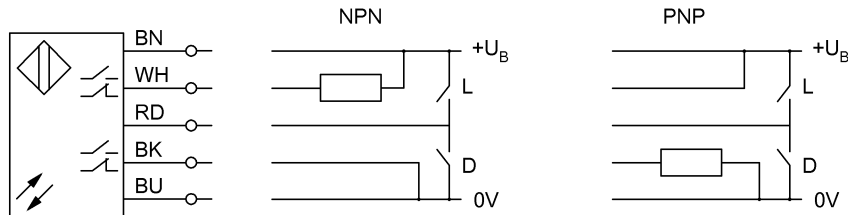
Range/Distance

Measuring range	1...500 mm
Range	1...500 mm
Rated operating distance S_n	500 mm, Adjustable
Ripple max. (% of U_e)	8 %

Remarks

Reference object (target): gray card, 200 x 200, 90 % remission, axial approach.
For additional information, refer to user's guide.
Order accessories separately.
The sensor is functional again after the overload has been eliminated.

Wiring Diagram



Symbols for Optoelectronic Sensors

