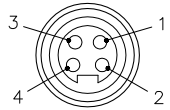


S1 CONNECTOR

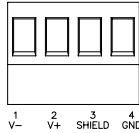


- 1 = - VOLTAGE
- 2 = + VOLTAGE
- 3 = SHIELD
- 4 = GROUND



FOUNDATION™
fieldbus

TERMINAL BLOCK PLUGS

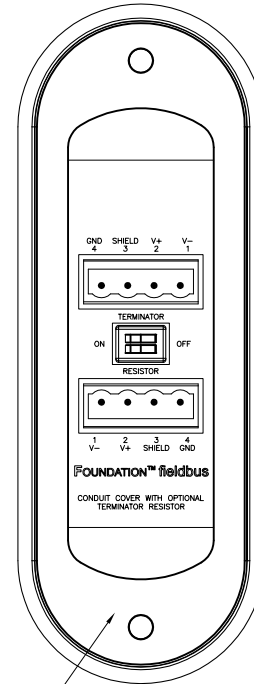
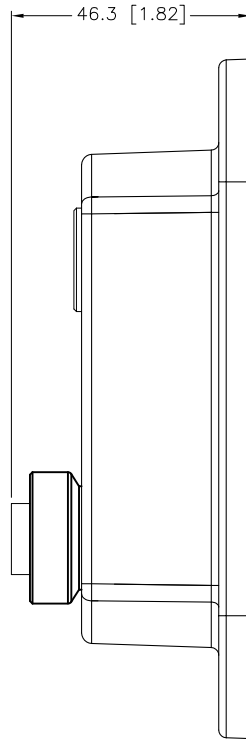
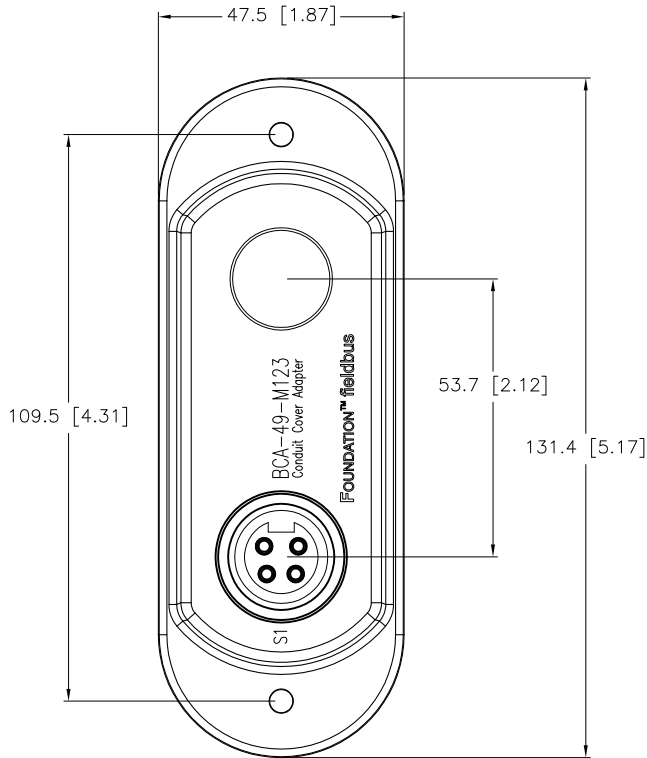


- 1 = - VOLTAGE
- 2 = + VOLTAGE
- 3 = SHIELD
- 4 = GROUND

FOUNDATION™
fieldbus

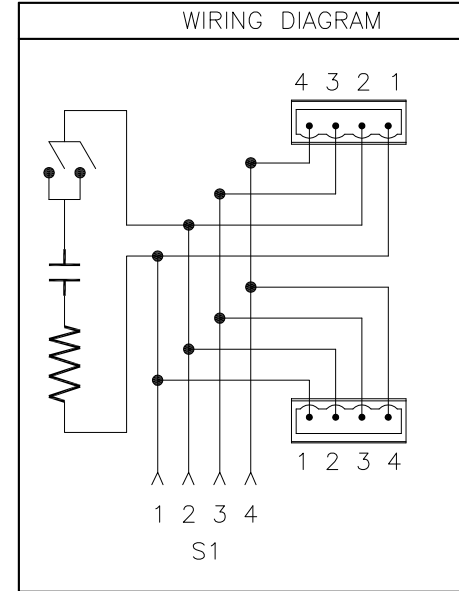
SPECIFICATIONS

HOUSING MATERIAL/COLOR	NYLON 66 - 33% GLASS FILLED/BLACK
RECEPTACLE HOUSING MATERIAL/FINISH	STAINLESS STEEL/PASSIVATED
CONTACT CARRIERS/COLOR	TPU/BLACK
CONTACT MATERIAL/PLATING	BRASS/GOLD
OPERATING VOLTAGE	300 V
OPERATING CURRENT	9.0 A PER CONDUCTOR
OPTIONAL TERMINATOR RESISTOR	1 OF 2 SWITCHES IN "ON" POSITION
PROTECTION CLASS to DIN 40050	IP 67 - ONLY WHEN ALL RECEPTACLES ARE COVERED WITH PLUGS OR CONNECTED
OPERATING TEMPERATURE	-40°C to +70°C (-40°F to +158°F)



SEALING GASKET

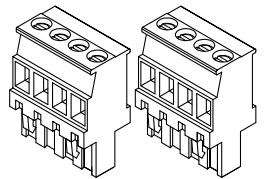
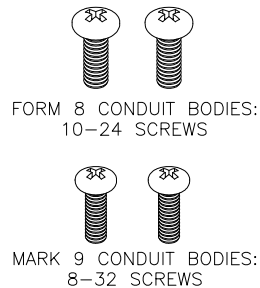
WIRING DIAGRAM



NOTES:

- 1. "/P" INDICATES SPECIAL GASKET FOR PVC COATED CONDUIT BODIES AND NYLON SCREWS.

COVER SCREWS INCLUDED



TERMINAL PLUGS INCLUDED

SOURCE DRAWING - FOR REFERENCE ONLY

RELATED DOCUMENTS 1. 2. 3. 4.	3RD ANGLE PROJECTION 	THIS DRAWING IS PROPERTY OF TURCK INC. USE OF THIS DOCUMENT WITHOUT WRITTEN PERMISSION IS PROHIBITED.		3000 CAMPUS DRIVE MINNEAPOLIS, MN 55441 1-800-544-7769 (763) 553-7300 (763) 553-0708 fax turck.com	
	MATERIAL	DRFT MS	DATE 01/29/07	DESCRIPTION BCA-49/P-M123	
FINISH	ALL DIMENSIONS DISPLAYED ON THIS DRAWING ARE FOR REFERENCE ONLY	DSGN	SCALE 1=1.5	IDENTIFICATION NO. U8606-11	
	CONTACT TURCK FOR MORE INFORMATION	UNIT OF MEASUREMENT MILLIMETER [INCH]		REV D	
		DO NOT SCALE THIS DRAWING		FILE: U8606-11	SHEET 1 OF 1

D	UPDATE MOUNTING HOLE DIMENSION	CK	04/28/11	34946
REV	DESCRIPTION	BY	DATE	ECO NO.