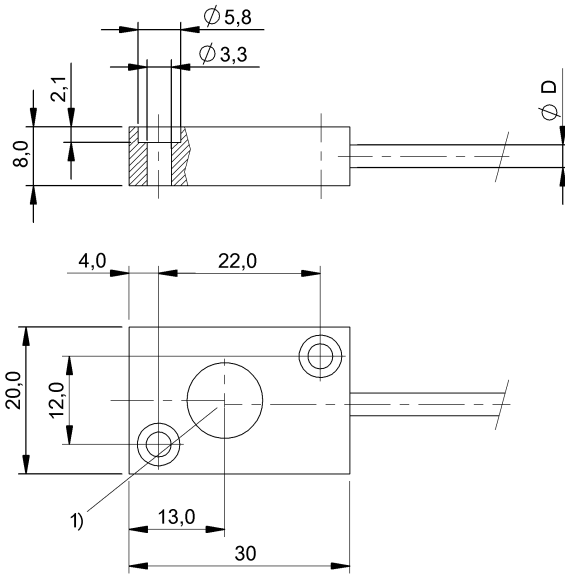


BAW R06AC-UAF20B-EP03 BAW0033



1) Sensing surface



Display/Operation

Power indicator no

Electrical connection

Cable diameter D 3.00 mm
Cable length 3 m
Conductor cross-section 0.14 mm²
Connection type Cable, 3.00 m, PUR
Number of conductors 3
Polarity reversal protected no
Short-circuit protection no

Electrical data

MTTF (40 °C) 640 a
No-load current I₀ max. at U_e 15 mA
Operating voltage U_b 21.6...26.4 VDC
Pollution degree 3
Protected against miswiring no
Rated insulation voltage U_i 75 V DC
Rated operating voltage U_e DC 24 V
Slope U 6.67 V/mm

Environmental conditions

Ambient temperature 10...60 °C
Protection type IEC 60529 IP67

Functional safety

Diagnostic coverage 0 %
Functional safety no

Mission Time 20 a

General data

Approval/Conformity CE
EAC
Basic standard BWN PR 44
IEC 60947-5-2
IEC 60947-5-7

Material

Housing material Aluminum
Material jacket PUR
Material sensing surface PBT
Surface protection anodized

Mechanical data

Dimension 30 x 20 x 8 mm
Installation for flush mounting

Output/Interface

Analog output Analog, voltage, Voltage falling on approach

Range/Distance

Measuring range 0.5...2 mm
Non-linearity max. ±45 µm
Range 0.5...2 mm
Repeat accuracy 3.0 % FS
Ripple max. (% of U_e) 10 %

BAW R06AC-UAF20B-EP03 BAW0033

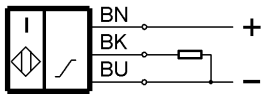
Remarks

The specified parameters apply to the temperature range of +10...+60 °C. Function is also guaranteed in the ranges -10...+10 °C and +60...+70 °C. Values referenced to axial approach of St 37 target. For other materials correction factors are applied.

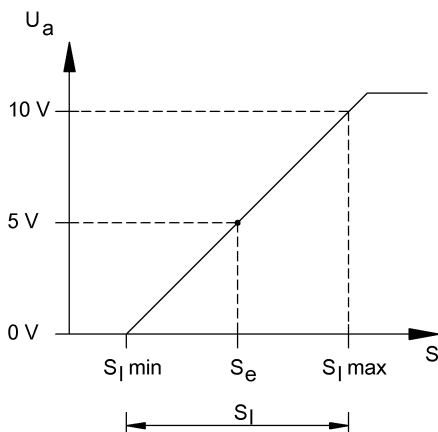
For further information on MTTF/B10d, please refer to the MTTF / B10d Certificate.

Specification of the MTTF value and the B10d value do not represent any binding quality and/or life expectancy guarantees.

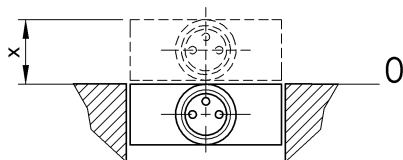
Wiring Diagram



Diagram



Additional View



L

Installation X = 0...8.0