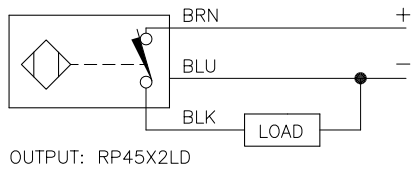
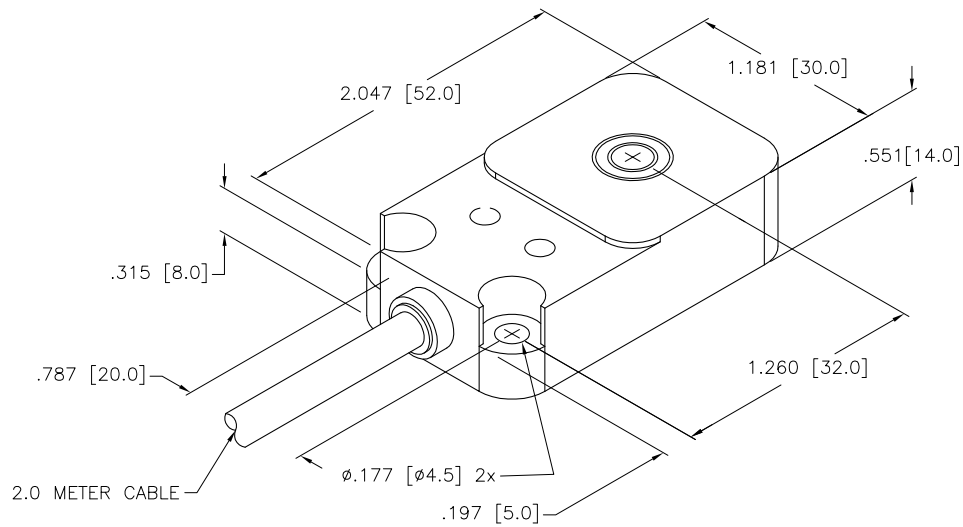


WIRING DIAGRAM



SHORT-CIRCUIT AND OVERLOAD PROTECTED



SPECIFICATIONS

RATED OPERATING DISTANCE	10.0 mm [.394"]
MOUNTING MODE	FLUSH
TEMPERATURE DRIFT	$\leq \pm 10\%$ $\leq \pm 15\%$, $\leq -25^{\circ}\text{C}$ V $\geq +70^{\circ}\text{C}$
HYSTERESIS	3-15%
MIN. REPEAT ACCURACY	$\leq 2\%$
AMBIENT TEMPERATURE	-40°C to +85°C (-40°F to +185°F)
OPERATING VOLTAGE	8.4-65 VDC
RESIDUAL RIPPLE	$\leq 10\%$
DC OPERATIONAL CURRENT	≤ 200 mA
NO-LOAD CURRENT	≤ 15 mA
RESIDUAL CURRENT	≤ 0.1 mA
RATED INSULATION VOLTAGE	≤ 0.5 kV
OUTPUT FUNCTION	3-WIRE, NORMALLY CLOSED, PNP
SHORT-CIRCUIT PROTECTION	YES
MAX. VOLTAGE DROP	≤ 1.8 V
WIRE BREAKAGE PROTECTION	INCORPORATED
REVERSE POLARITY PROTECTION	INCORPORATED
LOAD DUMP PROTECTION	IV/LEVEL 4, din 40839 (SAE J 1113-11)
SWITCHING FREQUENCY	≤ 0.5 kHz
HOUSING MATERIAL	PLASTIC, PBT-GF30-V0
ACTIVE FACE MATERIAL	PLASTIC, PBT-GF30-V0
CONNECTION	CABLE
CABLE	5.2 , 3x20 AWG , TPE
VIBRATION RESISTANCE	55 Hz (IN ALL 3 PLANES)
SHOCK RESISTANCE	150 g, 6 ms, (IN ALL 3 PLANES)
DEGREE OF PROTECTION	IP68/IP69K
SWITCHING STATUS INDICATION	LED/YELLOW
OPERATING VOLTAGE INDICATION	LED/GREEN
NOISE IMMUNITY	100 V/m RADIATED & 100 mA BCI

SOURCE DRAWING - FOR REFERENCE ONLY

RELATED DOCUMENTS		3RD ANGLE PROJECTION		THIS DRAWING IS PROPERTY OF TURCK INC. USE OF THIS DOCUMENT WITHOUT WRITTEN PERMISSION IS PROHIBITED.		 High Technology Sensors and Automation Controls		3000 CAMPUS DRIVE MINNEAPOLIS, MN 55441 1-800-544-7769 (763) 553-7300 (763) 553-0708 fax turck.com	
1. 2. 3. 4.				DRFT RDS		DATE 10/19/09		DESCRIPTION	
MATERIAL		ALL DIMENSIONS DISPLAYED ON THIS DRAWING ARE FOR REFERENCE ONLY		DSGN		SCALE 1=1.0		BI10-Q14-RP45X2LD	
SEE SPECIFICATIONS		CONTACT TURCK FOR MORE INFORMATION		UNIT OF MEASUREMENT		IDENTIFICATION NO.		REV	
FINISH				INCH [MILLIMETER]		T1584033		A	
SEE SPECIFICATIONS				DO NOT SCALE THIS DRAWING		FILE: T1584033		SHEET 1 OF 1	

A	DRAWING RELEASE	RDS	10/19/09	
REV	DESCRIPTION	BY	DATE	ECO NO.