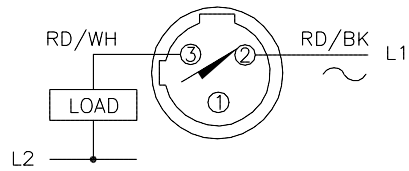
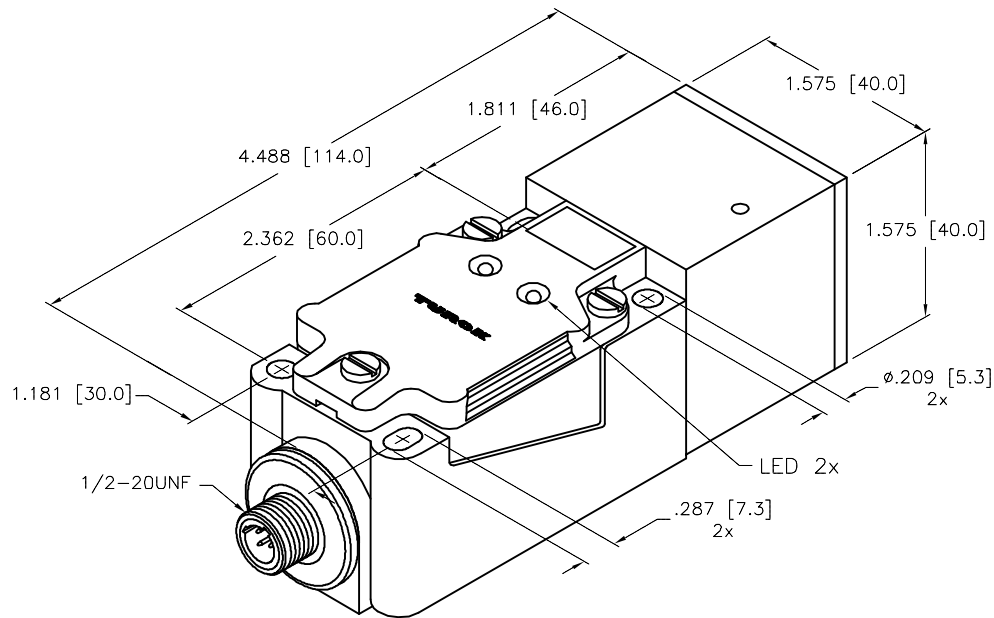


WIRING DIAGRAM



OUTPUT: FZ3X2

WARNING: NO SHORT-CIRCUIT PROTECTION.
ALWAYS WIRE A LOAD IN SERIES WITH THE SENSOR.



SPECIFICATIONS

RATED OPERATING DISTANCE	15 mm = .591"
MOUNTING MODE	FLUSH
TEMPERATURE DRIFT	$\leq \pm 10\%$
HYSTERESIS	3-15%
MIN. REPEAT ACCURACY	$\leq 2\%$
OPERATING TEMPERATURE	-25°C to +70°C (-13°F to +158°F)
RATED OPERATIONAL VOLTAGE (AC/DC)	20-250 VAC/10-300 VDC
RATED OPERATIONAL CURRENT (AC/DC)	≤ 400 mA AC/ ≤ 300 mA DC
FREQUENCY	50-60 kHz
RESIDUAL CURRENT	≤ 1.7 mA
RATED INSULATION VOLTAGE	≤ 1.5 kV
SURGE CURRENT	≤ 8.0 mA (≤ 10 ms MAX. 5 Hz)
VOLTAGE DROP	≤ 6.0 V
OUTPUT FUNCTION	2-WIRE, CONNECTION PROGRAMMABLE
SMALLEST OPERATING CURRENT	≥ 3.0 mA
SWITCHING FREQUENCY	≤ 0.02 kHz
HOUSING MATERIAL	PLASTIC, PBT-GF30-V0, BLACK
ACTIVE FACE	PLASTIC, PA6-GF30-X, YELLOW
VIBRATION RESISTANCE	< 55 Hz, < 1 mm AMPLITUDE (IN ALL 3 PLANES)
SHOCK RESISTANCE	< 30 g, < 11 ms
DEGREE OF PROTECTION	IP67
SWITCHING STATUS INDICATION	LED: RED
OPERATING VOLTAGE DISPLAY	LED: GREEN

NOTES:

- SENSING HEAD TURNS TO ACCOMMODATE 9 DIFFERENT SENSING POSITIONS.

SOURCE DRAWING - FOR REFERENCE ONLY

RELATED DOCUMENTS 1. 2. 3. 4.	3RD ANGLE PROJECTION 	THIS DRAWING IS CONFIDENTIAL AND THE PROPERTY OF TURCK INC. USE OF THIS DOCUMENT WITHOUT WRITTEN PERMISSION IS PROHIBITED.		TURCK INC <i>High Technology Sensors and Automation Controls</i> 3000 CAMPUS DRIVE MINNEAPOLIS, MN 55441 1-800-544-7769 (763) 553-7300 (763) 553-0708 fax turck.com	
	MATERIAL	DRFT RDS	DATE 12/18/13	DESCRIPTION BI15-CP40-FZ3X2-B3131	
FINISH	ALL DIMENSIONS DISPLAYED ON THIS DRAWING ARE FOR REFERENCE ONLY	APVD J.M.	SCALE 1=1.3	IDENTIFICATION NO. M1341094	
CONTACT TURCK FOR MORE INFORMATION		UNIT OF MEASUREMENT INCH [MILLIMETER]		REV A	
DO NOT SCALE THIS DRAWING		FILE: M1341094		SHEET 1 OF 1	

A	DRAWING RELEASE	RDS	12/18/13	
REV	DESCRIPTION	BY	DATE	ECO NO.