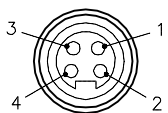
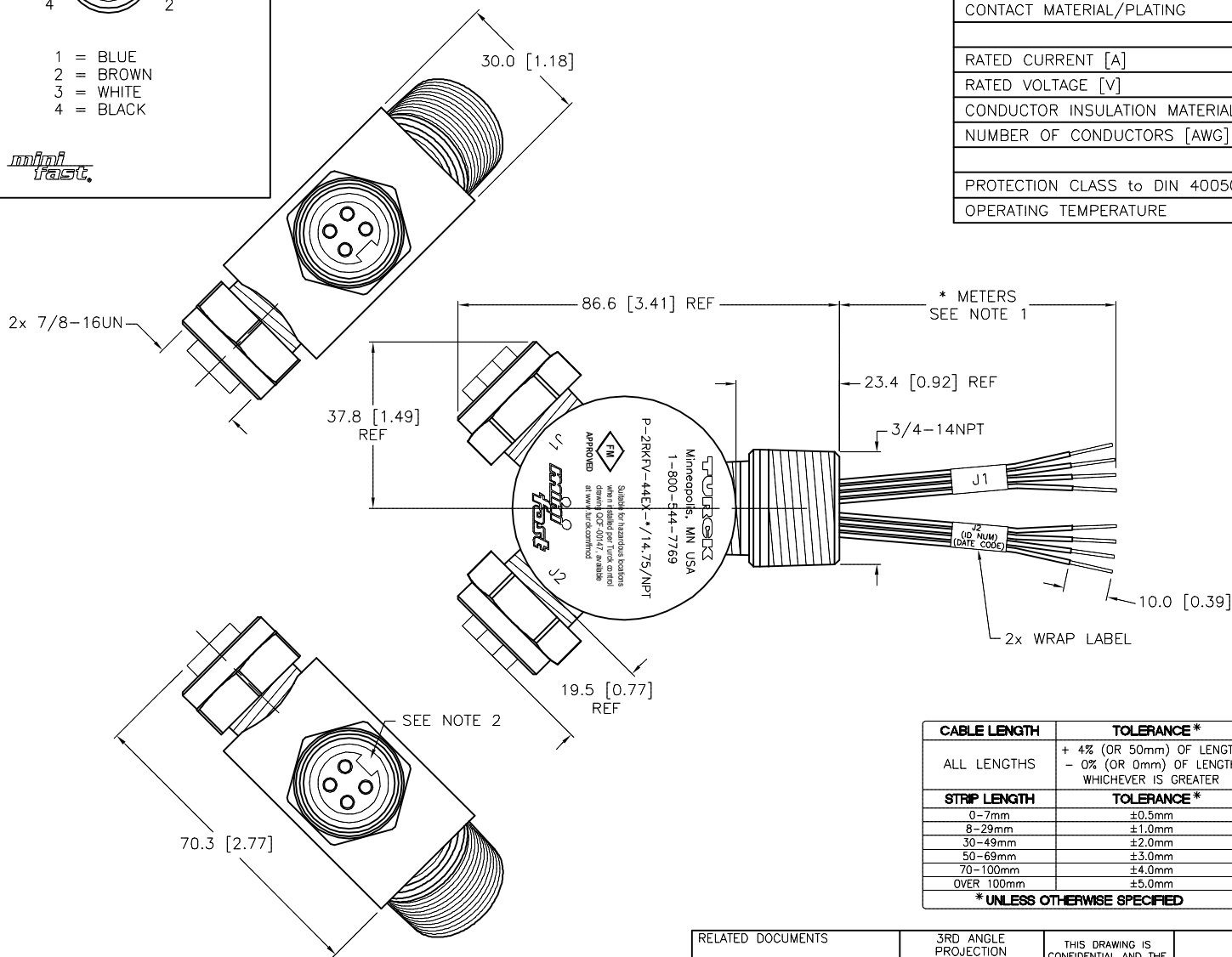


FEMALE END VIEW(J1-J2)

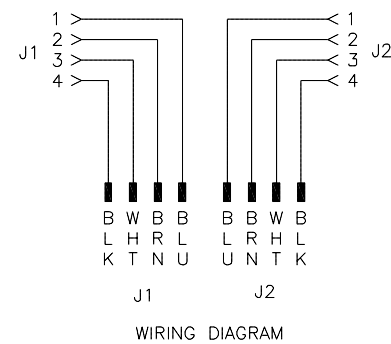


- 1 = BLUE
- 2 = BROWN
- 3 = WHITE
- 4 = BLACK



SPECIFICATIONS

MATERIAL	
HOUSING MATERIAL/FINISH	STAINLESS STEEL/PASSIVATED
RECEPTACLE HOUSING MATERIAL/FINISH	STAINLESS STEEL/PASSIVATED
CONTACT CARRIER MATERIAL	TPU
CONTACT MATERIAL/PLATING	BRASS/GOLD
ELECTRICAL DATA	
RATED CURRENT [A]	9.0 A
RATED VOLTAGE [V]	600 V
CONDUCTOR INSULATION MATERIAL	PVC
NUMBER OF CONDUCTORS [AWG]	8x18 AWG
MECHANICAL DATA	
PROTECTION CLASS to DIN 40050	MEETS NEMA 1,3,4,6P AND IEC IP67
OPERATING TEMPERATURE	-40°C to +105°C (-40°F to +221°F)



CABLE LENGTH	TOLERANCE*
ALL LENGTHS	+ 4% (OR 50mm) OF LENGTH - 0% (OR 0mm) OF LENGTH WHICHEVER IS GREATER
STRIP LENGTH	TOLERANCE*
0-7mm	±0.5mm
8-29mm	±1.0mm
30-49mm	±2.0mm
50-69mm	±3.0mm
70-100mm	±4.0mm
OVER 100mm	±5.0mm

*UNLESS OTHERWISE SPECIFIED

SOURCE DRAWING - FOR REFERENCE ONLY

- NOTES:
- "*" INDICATES LEAD LENGTH IN METERS. CONTACT TURCK TO ORDER SPECIFIC LENGTHS.
 - KEYWAY WILL BE AT ANY POSITION.

RELATED DOCUMENTS 1. 2. 3. 4.	3RD ANGLE PROJECTION 	THIS DRAWING IS CONFIDENTIAL AND THE PROPERTY OF TURCK INC. USE OF THIS DOCUMENT WITHOUT WRITTEN PERMISSION IS PROHIBITED.		3000 CAMPUS DRIVE MINNEAPOLIS, MN 55441 1-800-544-7769 (763) 553-7300 (763) 553-0708 fax turck.com	
	MATERIAL SEE SPECIFICATIONS	DRFT TH APVD J.S.	DATE 01/20/06 SCALE 1=1.5	DESCRIPTION P-2RKV-44EX-*/14.75/NPT	
FINISH SEE SPECIFICATIONS	ALL DIMENSIONS DISPLAYED ON THIS DRAWING ARE FOR REFERENCE ONLY	UNIT OF MEASUREMENT MILLIMETER [INCH]		IDENTIFICATION NO.	REV C
C ADD FM APPROVAL	RDS 05/13/14	45634	DO NOT SCALE THIS DRAWING		FILE: 777011446
REV DESCRIPTION	BY	DATE	ECO NO.	SHEET 1 OF 1	