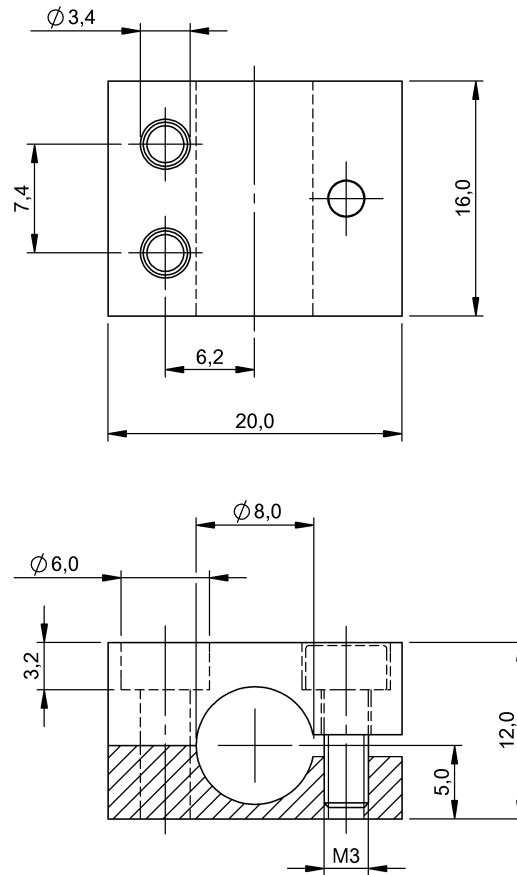


BES 08,0-KB-7 BAM00AA



General data

Scope of delivery	Clamp holder (1x) Screw ISO 4762-M3x16 (2x) Screw ISO 4762-M3x8
Use	for sensors Ø8 mm and M8
Version	Mounting cuff

Material

Material	Aluminum
Surface protection	anodized

Mechanical data

Dimension	16 x 12 x 20 mm
Fastening detail	Screws, terminals
Tightening torque clamping screw	1.1 Nm