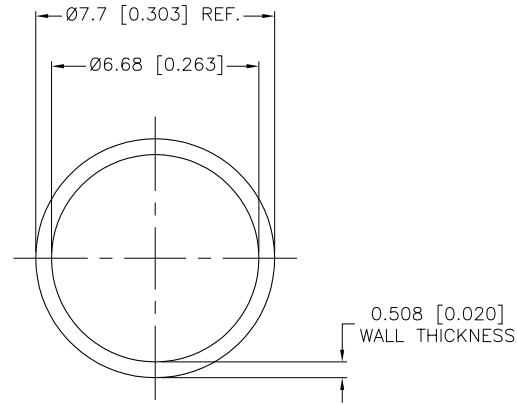


SPECIFICATIONS

MATERIAL/COLOR	FLUOROELASTOMER COATED FIBERGLASS/BLACK
TEMPERATURE RATING	-70°C to +220°C (-94°F to +428°F)
TENSILE STRENGTH	2000 psi @ 24°C; 600 psi @ 149°C
ELONGATION	150% @ 24°C; 75% @ 149°C
RATINGS	ASTM-D350, UL 1441, NEMA TF-1, MIL-E-5272, MIL-I-3190/7



SOURCE DRAWING - FOR REFERENCE ONLY

NOTES:

1. 50 FOOT SPOOL OF VITON SLEEVING.

RELATED DOCUMENTS		3RD ANGLE PROJECTION		THIS DRAWING IS PROPERTY OF TURCK INC. USE OF THIS DOCUMENT WITHOUT WRITTEN PERMISSION IS PROHIBITED.		TURCK INC High Technology Sensors and Automation Controls 3000 CAMPUS DRIVE MINNEAPOLIS, MN 55441 1-800-544-7769 (763) 553-7300 (763) 553-0708 fax turck.com	
1. 2. 3. 4.				DRFT RDS	DATE 07/28/08	DESCRIPTION	
MATERIAL		ALL DIMENSIONS DISPLAYED ON THIS DRAWING ARE FOR REFERENCE ONLY		DSGN	SCALE 1=.3	FFV 1/4INCH BLACK 50 FOOT ROLL	
SEE SPECIFICATIONS		CONTACT TURCK FOR MORE INFORMATION		UNIT OF MEASUREMENT		IDENTIFICATION NO.	REV
FINISH		MILLIMETER [INCH]		DO NOT SCALE THIS DRAWING		A9201	A
SEE SPECIFICATIONS						FILE: A9201	SHEET 1 OF 1

A	DRAWING RELEASE	RDS	07/29/08	
REV	DESCRIPTION	BY	DATE	ECO NO.