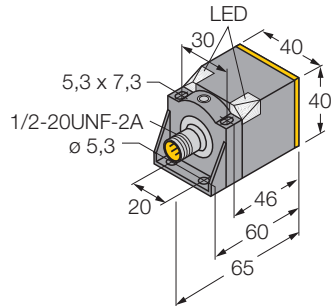
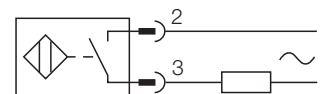


**Inductive sensor
with extended switching distance
Ni35U-CK40-ADZ30X2-B3131 W/BS4**



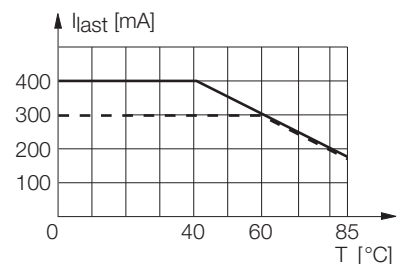
- Cuboid-shaped, height 40 mm
- Variable orientation of active face in 5 directions
- Plastic, PBT-GF30-V0
- Mounting only with included plastic clip BS4-CK40
- Factor 1 for all metals
- Extended switching distance
- Protection class IP68
- Large detection range
- Magnetic field immune
- Extended temperature range
- High switching frequency
- AC 2-wire, 20...250 VAC
- 2-wire DC, 10...300 VDC
- normally open
- connector, 1/2"

Wiring diagram



Functional principle

Inductive sensors detect metal objects contactless and wear-free. Due to the 3-coil system without ferrite core, uprox[®]+ factor 1 sensors have significant advantages. They detect all metals at the same switching distance, are magnetic field immune and feature large switching distances.

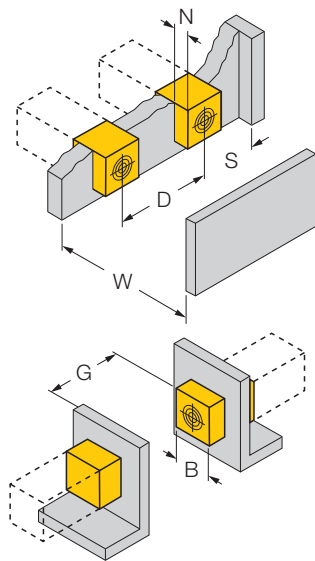


Type	Ni35U-CK40-ADZ30X2-B3131 W/BS4
Ident-No.	4280431
Rated operating distance Sn	35 mm
Mounting condition	non-flush
Assured sensing range	≤ (0,81 x Sn) mm
Repeatability	≤ 2 %
Temperature drift	≤ ± 10 %
Hysteresis	≤ ± 20 %, ≤ -25 °C v ≥ +70 °C
Ambient temperature	-30...+ 85°C
Operating voltage	20... 250 VAC
Operating voltage	10... 300 VDC
AC rated operational current	≤ 400 mA
DC rated operational current	≤ 300 mA
Frequency	50... 60Hz
Residual current	≤ 1.7 mA
Rated insulation voltage	≤ 1.5 kV
Surge current	≤ 3 A (≤ 20 ms max. 5 Hz)
Short-circuit protection	yes / latching
Voltage drop at I _e	≤ 6 V
Wire breakage / Reverse polarity protection	yes / complete
Output function	2-wire, NO contact
Smallest operating current I _m	≥ 3 mA
Protection class	☐
Switching frequency	≤ 0.02kHz
Housing	rectangular, CK40
Dimensions	65x 40x 40mm variable orientation of active face in 5 directions
Housing material	Plastic, PBT-GF20-V0, black
Material active face	Plastic, PA6-GF30-X, yellow
Connector housing	metal, CuZn, nickel-plated
Electrical connection	Connectors, 1/2"
Vibration resistance	55 Hz (1 mm)
Shock resistance	30g (11 ms)
Protection class	IP68
Operating voltage	LED green
Switching state	LED yellow
Included in scope of supply	BS4-CK40

**Inductive sensor
with extended switching distance
Ni35U-CK40-ADZ30X2-B3131 W/BS4**

Mounting instructions	minimum distances
Distance D	120 mm
Distance W	105 mm
Distance S	60 mm
Distance G	210 mm
Distance N	30 mm

Width of the active face B	40 mm
-----------------------------------	-------



**Inductive sensor
with extended switching distance
Ni35U-CK40-ADZ30X2-B3131 W/BS4****Accessories**

Type code	Ident-No.	Short text	Dimension drawing
BSS-CP40	6901318	Fixing clamp; material: Polypropylene	