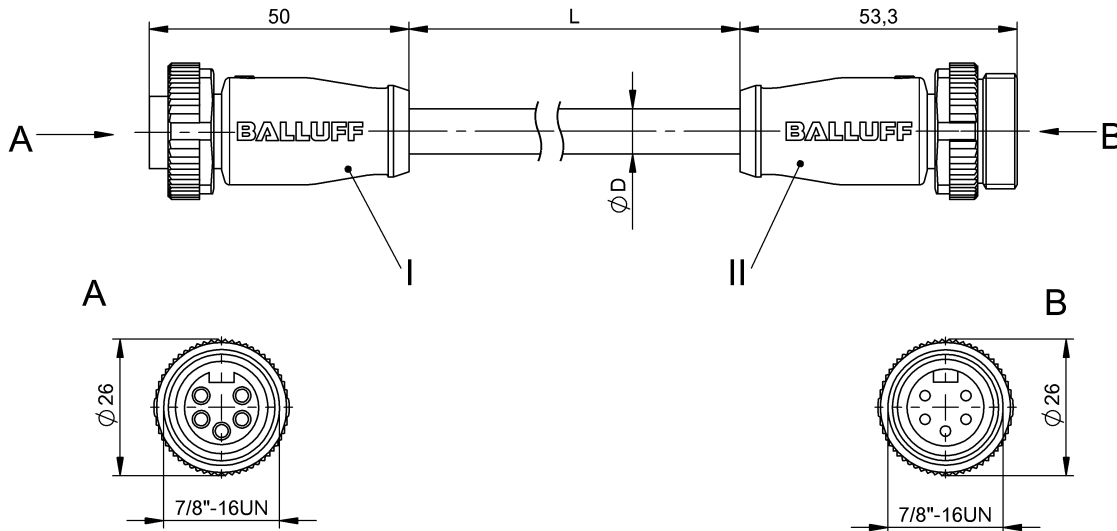


BCC A315-A315-30-330-PS85N4-030
BCC095C



4MT5
(C7JV CABLE ASSEMBLY)

Electrical connection

Bending radius min., fixed cable	6 x D
Bending radius min., flexible cable	10 x D
Cable	PUR Shielded gray, 3.00 m
Cable diameter D	12.19 mm ±0.38 mm
Cable, bending cycles min.	1 million
Conductor cross-section	AWG 15/AWG 18
Number of conductors	4
Number of pins	5/5
System	Molded/Molded

Electrical data

Cable rated voltage AC max.	300.0 V
Cable rated voltage DC max.	300.0 V
Conductor construction	2x2 twisted-pair
Conductor resistance	≤ 6.9 Ohm/1000 ft
Coupling resistance max.	120 Ohm ±12 Ohm
Line attenuation at 1 MHz max.	0.45 dB/100 ft
Line attenuation at 125 kHz max.	0.13 dB/100 ft
Line attenuation at 500 kHz max.	0.33 dB/100 ft
Rated current (40 °C)	8.0 A
Stranding	Flexible

Environmental conditions

Ambient temperature	-20...80 °C
---------------------	-------------

Protection type IEC 60529

IP68 /IP68

General data

Application	DeviceNet Thick
Approval/Conformity	cULus LISTED

Material

Cable shield	Aluminum foil, copper braid and stranded drain
Material contacts	Brass/Brass
Material cover nut	Die-cast zinc/Die-cast zinc
Material grip	TPU/TPU

Mechanical data

Tightening torque pigtail	1.5 Nm/1.5 Nm
---------------------------	---------------

Remarks

Bulk cable: Multi-axis flexing, DeviceNet, thick, 2/C 18 AWG 2/C 15 AWG, E101876 (UL) CL3 or AWG 20626 - LL33361 CSA AWM I/II A/B 80°C 300V FT1 - CE

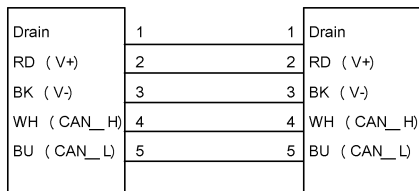
BCC A315-A315-30-330-PS85N4-030
BCC095C

Connector view



DeviceNet Output PIN 1: shield PIN 2: +24V PIN 3: 0V PIN 4: CAN H PIN 5: CAN L
 DeviceNet Input PIN 1: shield PIN 2: +24V PIN 3: 0V PIN 4: CAN H PIN 5: CAN L

Wiring Diagram



L