
MULTI-FUNCTION MODULES



Primary Power Components Division

[AC Receptacles Cross Reference](#)

[International Connector Specification Listin](#)

RoHS
Compliant

Double Fuseholder Modules IEC320 - C14

Max Rating:

UL 6A/115VAC⁽¹⁾, 10A/250VAC⁽²⁾, 15A/250VAC⁽³⁾
 CSA 4A/250VAC⁽⁴⁾, 5A/250VAC⁽⁵⁾, 6A/250VAC⁽⁶⁾, 10A/250VAC⁽⁷⁾
 VDE 10A/250VAC⁽⁸⁾



D



E



F

Multi-Function Modules. Both snap-in and screw mount incorporates an IEC male power inlet, fuseholder and optional voltage selector and power switch.

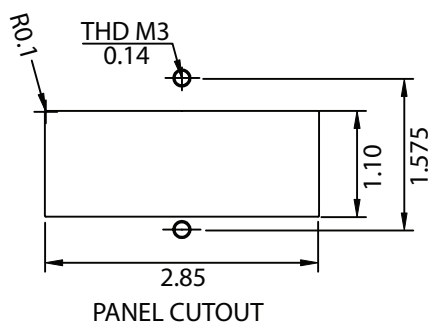
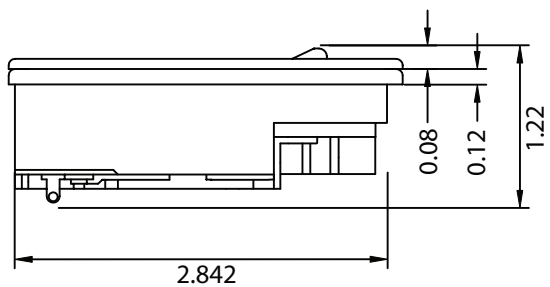
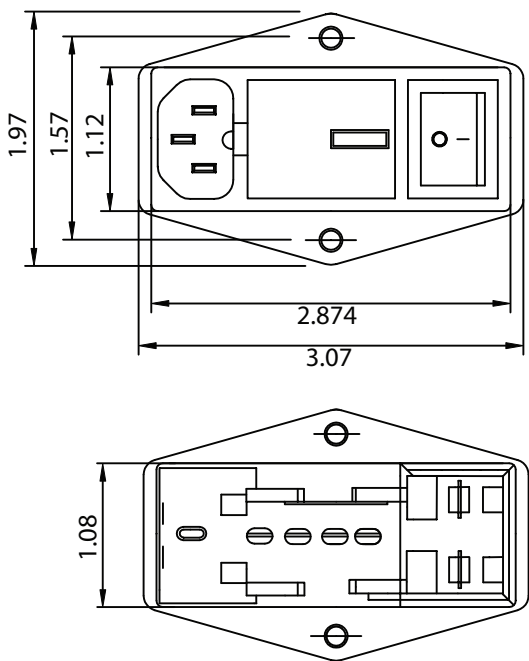
Part Number	PDF Drawings	Description	Housing Type	Terminals	Fuseholder Type	Power Switch	Voltage Selector	Figure
763-00/001(2)(6)(8)		Screw Mount	Plastic	Solder Tab	*	DPST	Front	D*
764-00/002(2)(7)(8)		Screw Mount	Plastic	Solder Tab	5 x 20	DPST	Front	E
764-00/003(2)(7)(8)		Screw Mount	Plastic	Solder Tab	5 x 20	DPST	Front	F

* Fuseholder for 5x20 mm (EURO) or 6.3 x 32 mm (North American Type).

THESE DRAWINGS ARE THE PROPERTY OF QUALTEK ELECTRONICS AND NOT TO BE REPRODUCED FOR OR COMMUNICATED TO A THIRD PARTY WITHOUT THE EXPRESS WRITTEN PERMISSION OF AN OFFICER OF QUALTEK ELECTRONICS.

REVISION		
REV.	DESCRIPTION	APPROVED
B	RoHS Compliancy	DP
C	Updated Specifications	DP

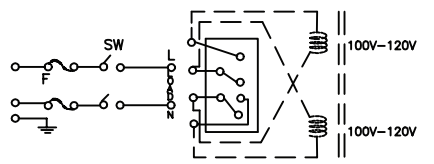
MECHANICAL DIMENSIONS:



NOTES:

ELECTRICAL CHARACTERISTICS:
 RATED CURRENT:
 UL / CSA / SEMKO @ 250 VAC.....10 AMP
 DPST POWER SWITCH:
 UL / CSA / @ 250 VAC.....10 AMP
 SEMKO @ 250VAC.....10 AMP
 VOLTAGE SELECTOR CARD:
 100-120 VAC or 200-240 VAC INPUT VOLTAGE
 UL / CSA / SEMKO @ 250.....10 AMP
 DOUBLE 5x20mm FUSEHOLDER
 SOLDER TAB TERMINALS
 FLAMMABILITY CLASS UL94V-O
 PLASTIC CASE
 SCREW MOUNT TYPE
 APPROVALS: UL, CSA, SEMKO
 RoHS COMPLIANT

ELECTRICAL SCHEMATIC:



CONTROLLED

		Qualtek Electronics Corp. PPC DIVISION		
Dim range (mm)	Tolerance +/- (mm)	Part Number: 764-00/003		RoHS Compliant
0-1	0.15	Description: MULTI-FUNCTION MODULE		
1-6	0.20	UNIT: in		
6-18	0.30	UNIT: in		
18-50	0.50	UNIT: in		
50-120	0.70	Drawn / Date	Checked / Date	Approved / Date
120-250	0.90	B.ZHANG		
250-500	1.20			