

Mini Incandescents

T-2 Bulb

Line No.	Part Number	Base Type	Design Volts	Design Amps	End Foot Candela	Filament Type	Rated Life	Fig No.	Foot Notes
1	120PSB		Slide Base #5	120	0.025		CC-7A	10,000	51

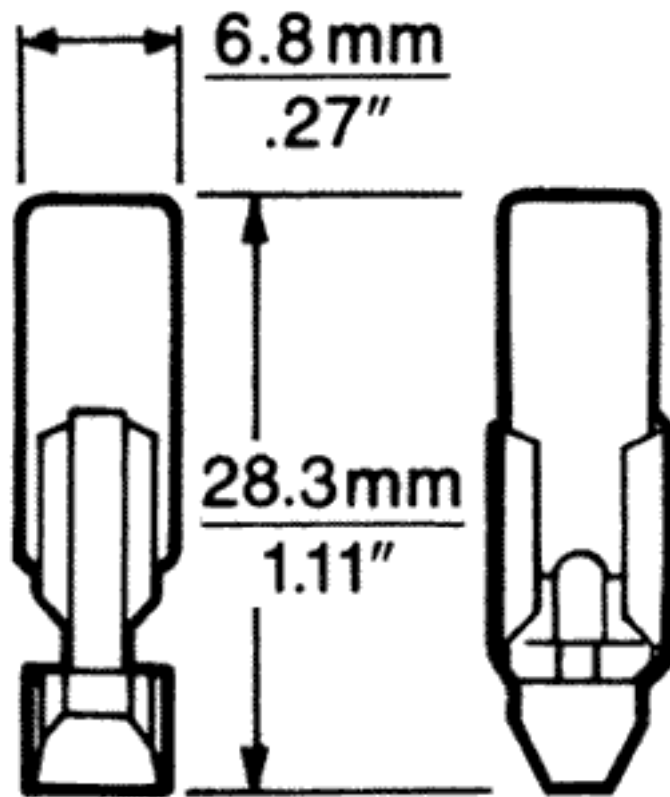


Fig. 51