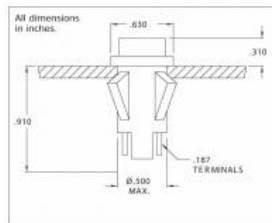


Products

Neon & Incandescent Indicators

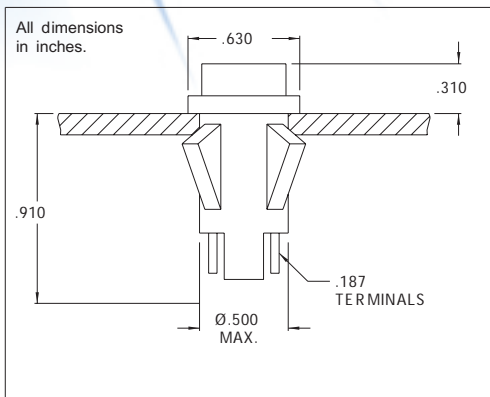
CML IT offers panel mount indicators manufactured with LED, Neon or Incandescent light sources. These indicators are available in a number of different lens and termination styles, with voltages of 2V ~ 250V available off-the-shelf.



Part Number: 1050QC1
Serial Number: 1050
Light Source: Neon
Color: Red
Voltage (V): 125VAC
Mounting Hole (inch): 0.50
Mounting Hole (metric): 12.7
Termination: .187" QC
Bezel color: Stainless Steel
Housing color: White
UL file: E20325
CSA file: LR13346
RoHS Status: Yes

1050QC, 1051QC, 1052QC, 1053QC and 1090QC Series Non-Relampable Neon-Incandescent Indicator Lights

DESCRIPTION AND FEATURES



Mounting: Will snap-fit into Ø.500/.505 hole in panels .020/.100 thick. Push-on speednut SN0461 also available.
 Mounting hole pattern on page SP2.

Terminals: Tinned brass

Lens: Polycarbonate

Bezel: Polished stainless steel.
 For black finish add "X" after the series letter(s).

Housing: White Nylon

| Lens Color | Neon | | Incandescent | |
|------------|------------------------|----------------------|-----------------|-----------------|
| | Model No. (105-125VAC) | Model No. (208-250V) | Model No. (12V) | Model No. (28V) |
| Red | 1050QC1 | 1051QC1 | 1090QC1-12V | 1090QC1-28V |
| Clear | 1050QC2 | - | - | - |
| Amber | 1050QC3 | 1051QC3 | 1090QC3-12V | 1090QC3-28V |
| White | 1050QC4 | 1051QC4 | 1090QC4-12V | 1090QC4-28V |
| Green | 1052QC5* | 1053QC5* | 1090QC5-12V | 1090QC5-28V |
| Lamp used | C2A+R resistor | C2A+R resistor | #2162 | #2187 |

* Incorporates G2B lamp and resistor.
 Underwriters Laboratories (UL) File No. E20325
 Canadian Standards Association (CSA) File No. LR13346