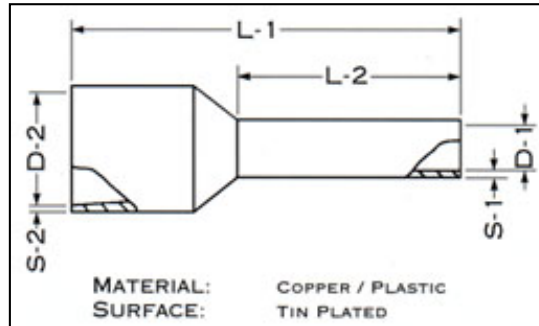




AMERICAN ELECTRICAL, INC.

INDUSTRIAL ELECTRICAL ACCESSORIES

Insulated Wire Ferrules DIN 46228 Part 4



Size mm ²	AWG	DIN		T		W		Pieces per bag	Dimensions (mm)						Recommended Crimping Tool
		Part Number	Color Code DIN	Part Number	Color Code T	Part Number	Color Code W		L-1	L-2	D-1	S-1	D-2	S-2	
0.14	26	1161014	GREY	1163014	BROWN	1162014	GREY	500	10.5	6	0.8	0.25	2	0.25	SQ28-10
		1181014		1183014		1182014		500	12.5	8	0.8	0.25	2	0.25	
0.25	24	11610025	YELLOW	11630025	VIOLET	11620025	BLUE	500	10.5	6	0.8	0.25	2	0.25	TRAP24-10 or SQ28-10
		11810025		11830025		11820025		500	12.5	8	0.8	0.25	2	0.25	
0.34	24	1161034	TURQ	1163034	PINK	1162034	TURQ	500	10.5	6	0.8	0.25	2	0.25	
		1181034		1183034		1182034		500	12.5	8	0.8	0.25	2	0.25	
0.5	20	1161050	WHITE	1163050	WHITE	1162050	ORANGE	500	11.5	6	1.1	0.15	2.5	0.25	
		1181050		1183050		1182050		500	13.5	8	1.1	0.15	2.5	0.25	
		11101050		11103050		11102050		500	15.5	10	1.1	0.15	2.5	0.25	
0.75	20	1161075	GREY	1163075	BLUE	1162075	WHITE	500	12	6	1.3	0.15	2.8	0.25	
		1181075		1183075		1182075		500	14	8	1.3	0.15	2.8	0.25	
		11101075		11103075		11102075		500	16	10	1.3	0.15	2.8	0.25	
		11121075		11123075		11122075		500	18	12	1.3	0.15	2.8	0.25	
1	18	1161010	RED	1163010	RED	1162010	YELLOW	500	12.5	6	1.5	0.15	3	0.3	
		1181010		1183010		1182010		500	14.5	8	1.5	0.15	3	0.3	
		11101010		11103010		11102010		500	16.5	10	1.5	0.15	3	0.3	
		11121010		11123010		11122010		500	18.5	12	1.5	0.15	3	0.3	
1.5	16	1161015	BLACK	1163015	BLACK	1162015	RED	500	12.5	6	1.8	0.15	3.4	0.3	
		1181015		1183015		1182015		500	14.5	8	1.8	0.15	3.4	0.3	
		11101015		11103015		11102015		500	16.5	10	1.8	0.15	3.4	0.3	

